

HPS-METAL HALIDE

1200-VL Series Rustproof Vandal-Resistant Ceiling Luminaire 150 Watts Maximum 12" Square



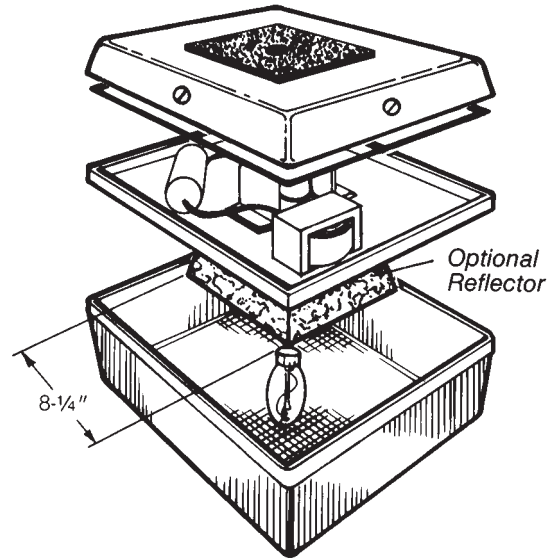
Designed for indoor/outdoor use where efficiency and style are as important as endurance to abuse by environmental elements or vandalism. 1200-VL Series is **Rustproof**. Engineered with materials offering the **highest resistance to rust, corrosion, and impact**. The **polycarbonate** housing is **nonconductive**, insuring more safety to the end user. Smooth exterior lens allows ease of cleaning, clear prismatic interior assures high lumen output, rounded corners for increased impact strength and safety. Ideally suited for schools, motels, apartments, parking areas; and commercial, industrial, and government establishments.

Specifications

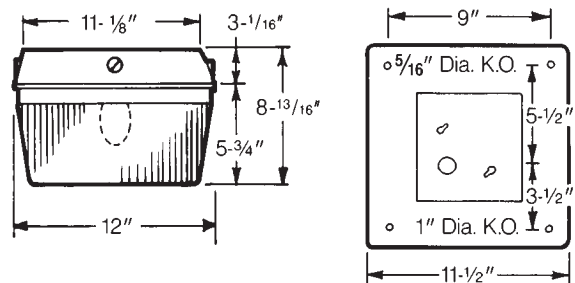
- Lens:** Injection molded of UV-stabilized **polycarbonate**. Average thickness is $\frac{1}{8}$ ". Smooth exterior surface for ease of cleaning, and rounded corners for added impact strength.
- Base Plate:** **Rustproof** .080" 5052 H-32 tempered marine-grade aluminum.
- Housing:** Injection molded of UV-stabilized reinforced bronze or white **polycarbonate**. Rear knockout for supply wire. Available with up to four threaded connections and plugs suitable for $\frac{1}{2}$ " conduit (specify conduit connections).
- Gasket:** Lens gasket and mounting gasket are closed-cell neoprene rubber.
- Socket:** Medium-base phenolic with nickel-plated copper screw shell, 4kV pulse rated.
- Reflector (optional):** Formed of anodized aluminum in a hammertone texture projecting 77.7% total reflectivity. (Standard for 150 MH only.)
- Lamp (optional):** High-efficiency, medium-base High Pressure Sodium lamp in 50 (ANSI S68), 70 (ANSI S62), 100 (ANSI S54), and 150 (ANSI S55) watts. Medium-base lamp; Metal Halide in 70 (ANSI M101), 100 (ANSI M90) and 150 (ANSI M100) watts.
- Ballast:** High Pressure Sodium Normal Power Factor (NPF) or High Power Factor (HPF) for 120V; HPF for 120/277V Dual Voltage. Metal Halide NPF for 50 or 70 watts 120V or 277V; HPF for 120V, 277V, and 120/277V Dual Voltage.
- Hardware:** Four stainlesssteel 8-32 phillips truss head screws or tamperproof screws (TORX® type) attach lens to base plate.



Exploded View



Dimensions



UL, C-UL Listed For Wet Locations.

All polycarbonate components meet Underwriters Laboratories 746C tests for polymeric material and carry a flammability rating of 94HB or better on lenses and the superior 94-5V rating on housings.

Luminaire Type _____
 Catalog Number _____
 Job Name _____
 Approval _____

WF Harris Lighting

Innovative Lighting Designs Since 1970

P.O. Box 5023, Monroe, NC 28111-5023, USA
 (704) 283-7477 • (704) 283-6880 (FAX) • (800) 842-9345 (TOLL FREE)
 www.wfharris.com • e-mail: info@wfharris.com


"A Live Operator Company Standing Ready to Serve Your Lighting Needs"

HPS-METAL HALIDE

Ordering Information (Fill In Blanks For Complete Catalog Number)

Model	Housing	Lens	Watts-Lamp	Power Factor	Volts	Options	Conduit Connections
Model	Housing Color	Lens Color	Watts/Lamp	Power Factor	Volts	Options	Conduit Connections
1200-VL	HB-Bronze HW-White	CP-Clear Prismatic OW-Opal White (MH FIXTURE ONLY)	70 MH 100 MH 125 MH ^{1,7} 150 MH ^{1,7} 50 HPS 70 HPS 100 HPS ⁴ 150 HPS ⁴	NPF HPF	120 277 ⁶ 120/277 ² 120/277/347 ^{2,5}	PC-Photo Control ³ LP-Lamp RF-Reflector QRS-Quartz Restrike QRSLP-Quartz Restrike System With 100Q/DC TPS-Tamperproof Screw FS-Fuse and Holder 12H__ - Housing (Please Specify Color) B-Bronze W-White RS-Slotted Reflector	CRS-Right Side CLS-Left Side CT-Top CB-Bottom C4-All

Accessories (Order Separately)

TPT-Tamperproof Screwdriver 

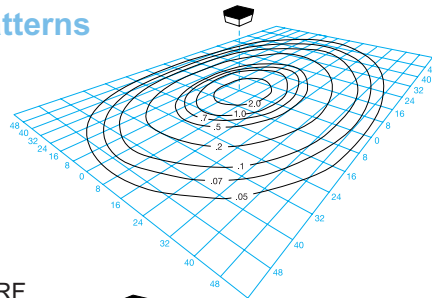
¹ Mount on metal or concrete ceiling only
² HPF Ballast Only
³ Specify Voltage
⁴ Not for use on insulated ceiling
⁵ Not available with 50 HPS or MH
⁶ HPS 277V are dual tap only
⁷ RS slotted reflector included

Lamp Performance

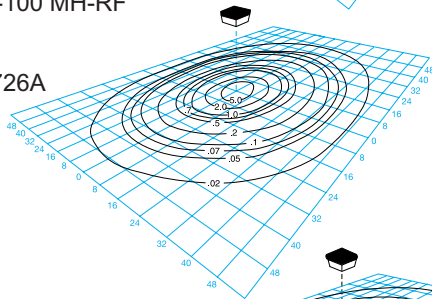
	70 Watt MH	100 Watt MH	150 Watt MH	50 Watt HPS	70 Watt HPS	100 Watt HPS	150 Watt HPS
Input Watts	90W	129W	185W	66W	91W	130W	188W
Lumen Output	5,900	8,800	12,400	4,000	6,300	9,500	16,000
Lamp Life (Hours)	10,000	10,000	9,000	24,000	24,000	24,000	24,000
Minimum Starting Temp.	-20°F/-30°C	-20°F/-30°C	-20°F/-30°C	-40°F/-40°C	-40°F/-40°C	-40°F/-40°C	-40°F/-40°C

Light Distribution Patterns

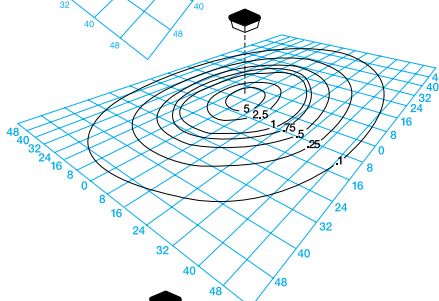
Model 1200-VL-CP-100 MH
Based On 8' M.H.
Test Report No. 32728A



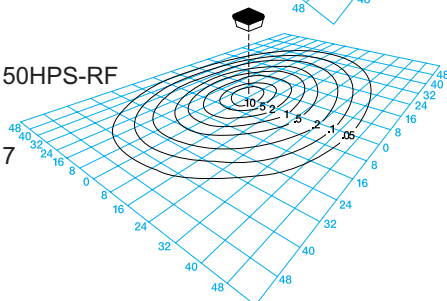
Model 1200-VL-CP-100 MH-RF
with reflector
Based On 8' M.H.
Test Report No. 32726A



Model 1200-VL-CP-150HPS
Based On 8' M.H.
Test Report No. 30245



Model 1200-VL-CP-150HPS-RF
with reflector
Based On 8' M.H.
Test Report No. 30217



Conversion Tables

Lamp	Lamp Conversion Factor	Mounting Height	Height Conversion Factor
150 MH	1.58	8'	1.00
100 MH	1.00	9'	.79
70 MH	.66	10'	.64
150 HPS	1.00	11'	.53
100 HPS	.59	12'	.44
70 HPS	.36		
50 HPS	.25		

Using Conversion Table

TO ADJUST FOOTCANDLES (FC) SHOWN IN DIAGRAMS AT LEFT, USE ONE OF THE FOLLOWING FORMULAS WITH LAMP CONVERSION FACTOR (LCF) AND HEIGHT CONVERSION FACTOR (HCF):

$$\begin{aligned} \text{FC} \times \text{LCF} &= \text{FC with alternate lamp} \\ \text{FC} \times \text{HCF} &= \text{FC at alternate height} \\ \text{FC} \times \text{LCF} \times \text{HCF} &= \text{FC with alternate lamp at alternate height} \end{aligned}$$

Specifications Subject to Change Without Notice

Luminaire is Warranted to be Free of Defects in Materials and Workmanship for One Year From Invoice Date.

LENS, HOUSING, AND ALUMINUM BASE PLATE CARRY A LIFETIME GUARANTEE.

MADE IN  USA

WF Harris Lighting

Innovative Lighting Designs Since 1970

P.O. Box 5023, Monroe, NC 28111-5023, USA

(704) 283-7477 • (704) 283-6880 (FAX) • (800) 842-9345 (TOLL FREE)

www.wfharris.com • e-mail: info@wfharris.com

Printed in USA

Form 1505

07/06