

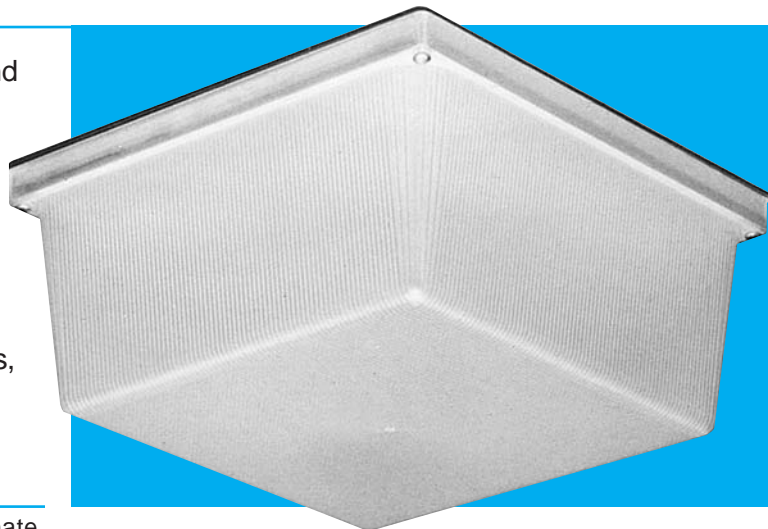
INCANDESCENT

1200 Series
12" Square

Rustproof Vandal-Resistant Wall/Ceiling Luminaire
Two 75 Watts Maximum

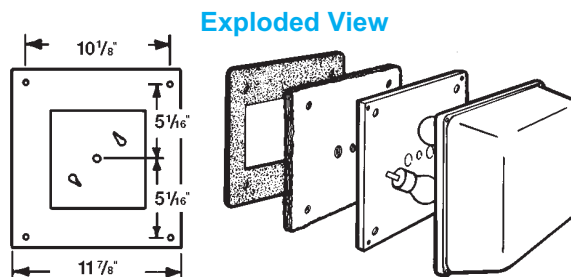


Designed for indoor/outdoor use where efficiency and style are as important as endurance to abuse by environmental elements or vandalism. Engineered with materials offering the **highest resistance to rust, corrosion, and impact**. The housing is totally nonconductive, insuring more safety to the end user. Smooth exterior lens allows ease of cleaning, clear prismatic interior assures optimal lumen output, rounded corners for increased impact strength and safety. Ideally suited for schools, motels, apartments, parking areas; and commercial, industrial, and government establishments.

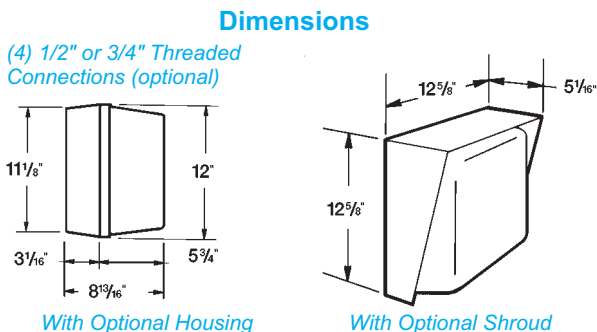


Specifications

Lens:	Injection molded of UV-stabilized polycarbonate. Average thickness is 1/8". Smooth exterior surface for ease of cleaning, and rounded corners for increased impact strength and safety. Bronze painted sides (PS) available. This finish provides symmetrical light distribution and eliminates objectionable glare.
Base Plate:	Rustproof .080" 5052 H-32 tempered marine-grade aluminum.
Housing: (optional)	Injection molded of UV-stabilized reinforced bronze polycarbonate. 3/4" rear knockout for supply wire. Available with up to four 1/2" or 3/4" threaded connections and plugs.
Gasket:	Lens gasket and mounting gasket are closed-cell neoprene rubber.
Socket:	Two provided. Medium base, ceramic, with leads suitable for 125°C.
Lamp:	Uses two type A-19 incandescent lamps, 75 watts maximum each. (Provided by others.)
Hardware:	Four stainless-steel 8-32 phillips truss head screws or tamperproof screws (TORX® type) attach lens to base plate.



Exploded View



Dimensions

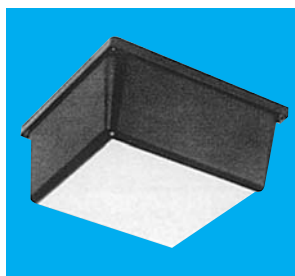
(4) 1/2" or 3/4" Threaded Connections (optional)

With Optional Housing

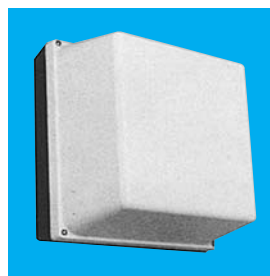
With Optional Shroud

UL Listed For Wet Locations.

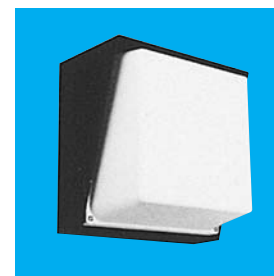
All polycarbonate components meet Underwriters Laboratories 746C tests for polymeric material and carry a flammability rating of 94HB or better on lenses and the superior 94-5V rating on housings.



Shown With Optional Painted Sides



Shown With Optional Housing



Shown With Optional Decorative Shroud

Luminaire Type _____
Catalog Number _____
Job Name _____
Approval _____

WF Harris Lighting

Innovative Lighting Solutions Since 1970

P.O. Box 5023, Monroe, NC 28111-5023, USA (704) 283-7477
www.wfharris.com • (704) 283-6880 (fax) • email: info@wfharris.com

"A Live Operator Company Standing Ready to Serve Your Lighting Needs"

INCANDESCENT

Ordering Information (Fill In Blanks For Complete Catalog Number)

Model	Lens	Watts/Lamp	Options	Conduit Connections (12B Required) (Specify 1/2" or 3/4")
1200	CP -Clear Prismatic OW -Opal White	INC (Two 75W max.) ¹	PC -Photo Control (12B Required) SHD -Bronze Aluminum Shroud 12B -Conduit Box (Specify Connections) GCO -Grounded Convenience Outlet (12B Required)* SW -On/Off Switch (12B Required)* TPS -Tamperproof Screws Graphics -Numbers, Letters, Symbols, Logos PS -Painted Sides	CRS -Right Side CLS -Left Side CT -Top CB -Bottom C4 -All (Positions Based on Facing Fixture)

Accessories (Order Separately)
TPT-Tamperproof Screwdriver

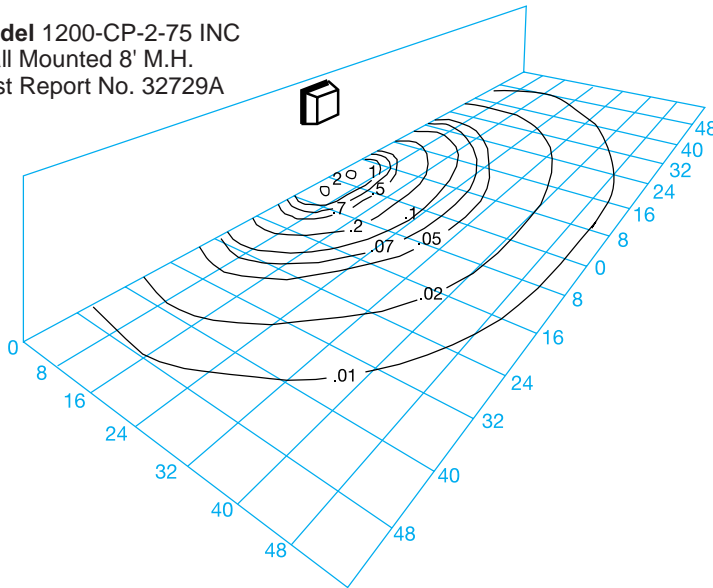


¹ Provided by others

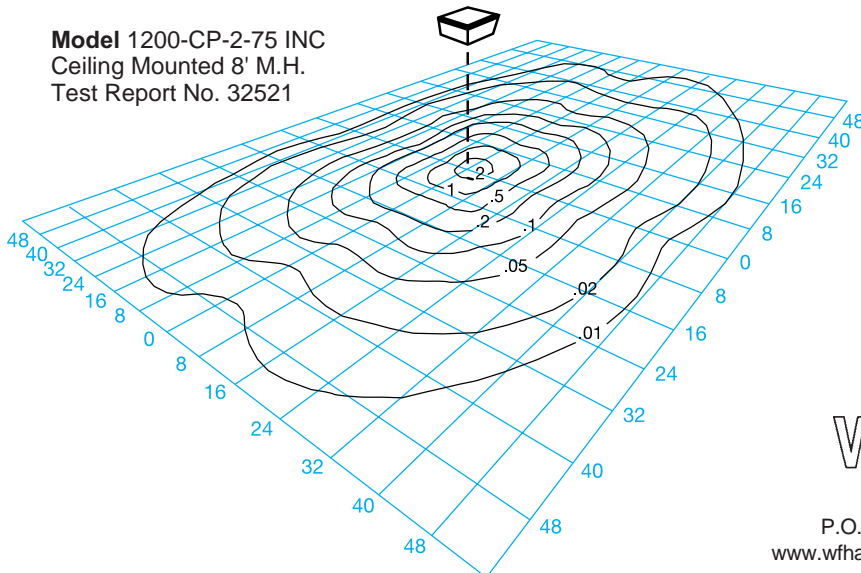
*Interior Use Only

Light Distribution Patterns

Model 1200-CP-2-75 INC
Wall Mounted 8' M.H.
Test Report No. 32729A



Model 1200-CP-2-75 INC
Ceiling Mounted 8' M.H.
Test Report No. 32521



Conversion Table

Mounting Height	Height Conversion Factor
8'	1.00
10'	.64
12'	.45
14'	.32

Using Conversion Table

TO ADJUST FOOTCANDLES (FC) SHOWN IN DIAGRAMS AT LEFT, USE THE FOLLOWING FORMULA WITH HEIGHT CONVERSION FACTOR (HCF):

$$FC \times HCF = FC \text{ at alternate height}$$

Specifications Subject to Change Without Notice

Luminaire is Warranted to be Free of Defects in Materials and Workmanship for One Year From Invoice Date.

LENS, HOUSING, AND ALUMINUM BASE PLATE CARRY A LIFETIME GUARANTEE.

MADE IN USA

WF Harris Lighting

Innovative Lighting Solutions Since 1970
P.O. Box 5023, Monroe, NC 28111-5023, USA (704) 283-7477
www.wfharris.com • (704) 283-6880 (fax) • email: info@wfharris.com