

INCANDESCENT

80 Series 8⁷/₈" Square

Rustproof Vandal-Resistant Wall/Ceiling Luminaire
100 Watts Maximum



Designed for indoor/outdoor use where efficiency and style are as important as endurance to abuse by environmental elements or vandalism. Engineered with materials offering the **highest resistance to rust, corrosion, and impact**. The optional housing for surface mounted conduit is totally non-conductive, insuring more safety to the end user. Smooth exterior lens allows ease of cleaning, clear prismatic interior for optimal lumen output, rounded corners for increased impact strength. Ideally suited for schools, motels, apartments, parking areas, commercial and industrial establishments, and government installations.



Specifications

Lens: Injection molded of UV-stabilized polycarbonate. Average thickness is 1/8". Smooth exterior surface for ease of cleaning, rounded corners for increased impact strength.

Base Plate: Rustproof .063" 5052 H-32 tempered marine-grade aluminum.

Thermal Insulation: One-pound-density fiberglass pad controls temperature rise in junction box and surface area.

Gasket (optional): Closed-cell neoprene rubber in 1/8" thickness creates a tight seal against contaminants. Required for Wet Locations.

Socket: Medium-base, ceramic with copper screw shell and leads insulated for 105°C.

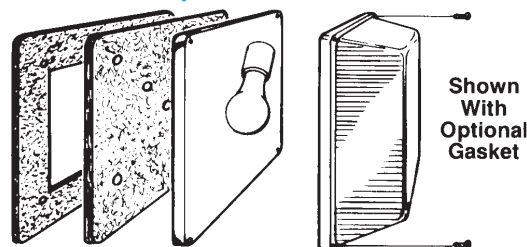
Lamp: Uses 100W maximum type A-19 incandescent lamp. Provided by others.

Hardware: Four stainless-steel 8-32 phillips truss head screws or tamperproof screws (TORX® type) attach lens to base plate. Mounting hardware included.

UL Listed For Damp or Wet Locations.

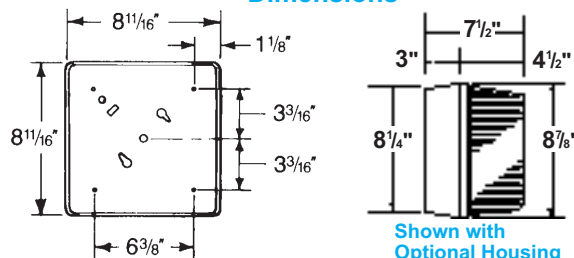
All polycarbonate components meet Underwriters Laboratories 746C tests for polymeric material and carry a flammability rating of 94HB or better on lenses and the superior 94-5V rating on housings.

Exploded View

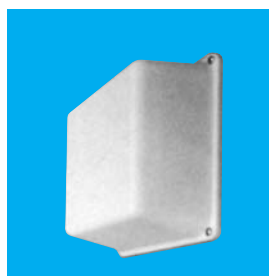


Shown With Optional Gasket

Dimensions



Shown with Optional Housing



Shown With Opal White Lens



Shown With Optional Graphics

Luminaire Type _____
 Catalog Number _____
 Job Name _____
 Approval _____

WF Harris Lighting

Innovative Lighting Designs Since 1970

P.O. Box 5023, MONROE, NC 28111-5023, USA
 (704) 283-7477 • (704) 283-6880 (FAX) • (800) 842-9345 (TOLL FREE)
 www.wfharris.com • e-mail: info@wfharris.com

"A Live Operator Company Standing Ready to Serve Your Lighting Needs"

INCANDESCENT

Ordering Information (Fill In Blanks For Complete Catalog Number)

Model	Lens	Lamp	Options	Conduit Connections (80B Required)
Model	Lens Color	Lamp	Options	
80	CP-Clear Prismatic OW-Opal White	INC (100W Max.) ¹	TPS -Tamperproof Screws WL -Wet Location Gasket ³ GRAPHICS -Numbers, Letters, Symbols, Logos 80B -Conduit Box (Specify Connections) FS -Fuse and Holder PS -Painted Sides PC -Photo Control ² SR -Photo Control Shield-Round SRH -Photo Control Shield-1/2 Round	CRS -Right Side CLS -Left Side CT -Top CB -Bottom

¹Provided By Others

²Requires 80B

³Required for UL Wet Location Listing

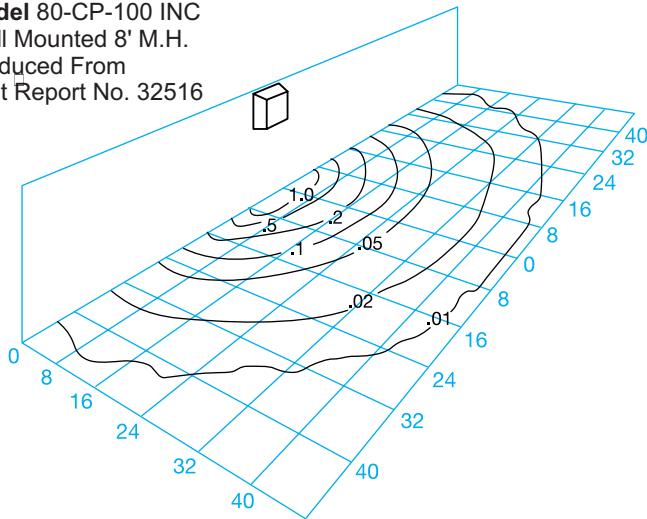
Accessories (Order Separately)

TPT-Tamperproof Screwdriver

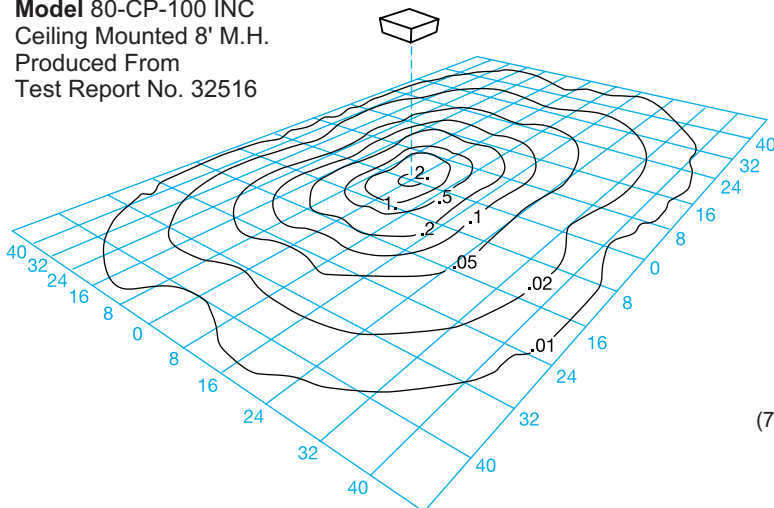


Light Distribution Patterns

Model 80-CP-100 INC
 Wall Mounted 8' M.H.
 Produced From
 Test Report No. 32516



Model 80-CP-100 INC
 Ceiling Mounted 8' M.H.
 Produced From
 Test Report No. 32516



Lamp	Lamp Conversion Factor	Mounting Height	Height Conversion Factor
100 INC	1.00	6'	1.77
75 INC	.72	7'	1.30
60 INC	.46	8'	1.00
		9'	.79
		10'	.64

Using Conversion Table

TO ADJUST FC, USE FOLLOWING FORMULA WITH LAMP CONVERSION FACTOR (LCF) AND HEIGHT CONVERSION FACTOR (HCF):

$$FC \times LCF = FC \text{ with alternate lamp}$$

$$FC \times HCF = FC \text{ at alternate height}$$

$$FC \times LCF \times HCF = FC \text{ with alternate lamp at alternate height}$$

Specifications Subject to Change Without Notice

Fixture is Warranted to be Free of Defects in Materials and Workmanship for One Year From Invoice Date.

LENS, HOUSING, AND ALUMINUM BASE PLATE CARRY A LIFETIME GUARANTEE.

MADE IN USA 

WF Harris Lighting

Innovative Lighting Designs Since 1970

P.O. Box 5023, MONROE, NC 28111-5023, USA

(704) 283-7477 • (704) 283-6880 (FAX) • (800) 842-9345 (TOLL FREE)

www.wfharris.com • e-mail: info@wfharris.com

Printed in USA
 Form 1508 5/03