

# FLUORESCENT



## 30 Series *Rustproof Vandal-Resistant Wall/Ceiling Luminaire* 42 Watts Maximum

An energy-efficient compact luminaire that offers up to 42 watts of soft fluorescent lighting. **Rustproof.** Engineered for indoor or outdoor use with materials offering the **highest resistance to corrosion and impact.** A variety of lens styles in decorator colors and a choice of horizontal or vertical mountings make this luminaire extremely versatile for office buildings, schools, hotels and motels, apartments, government installations, and commercial establishments. **PLT Lamp 0°F minimum starting temperature.**

### Specifications

**Lens:** Injection molded with prismatic interior of UV-stabilized **polycarbonate** in an average 1/8" thickness. Smooth exterior surface for ease of cleaning and rounded corners for added strength and safety. Selections include clear prismatic or opal white. Stylish single-end or double-end painted lens in Black, White, Bronze, Dusty Rose, Mint Green, or Powder Yellow; and horizontal painted lens in Black, White, or Bronze. Suitable for graphic display of letters, symbols and numbers.

**Base Plate:** **Rustproof** .063" 5052 H-32 tempered marine-grade aluminum.

**Housing: (optional)** Injection molded UV-stabilized reinforced **polycarbonate** in Black, White, or Bronze. Includes five knockouts suitable for 1/2" conduit (gasket included). PLT includes 30B Housing.

**Gasket: (optional)** Closed-cell neoprene rubber in 1/8" thickness creates a tight seal against contaminants. Required for Wet Locations or when housing not supplied.

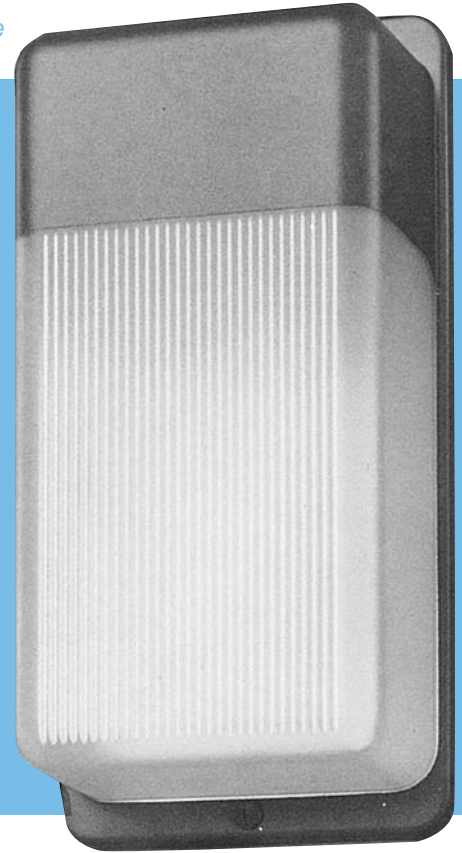
**Socket:** Two-pin and four-pin type with leads insulated for 105°C.

**Lamp: (optional)** High efficiency PL and PLT lamps offer up to ten times longer life and 70% energy savings over incandescent lamps. **PLT 0°F minimum starting temperature.**

**Reflector:** (Provided on PL Models 30-S and 30-D) Injection molded of glossy white UV-stabilized **polycarbonate**. Produces high lumen output and light distribution.

**Ballast:** Self-start preheat type in Normal Power Factor or High Power Factor for 120V or 277V. Optional Cold Weather (0°F) Ballast(s), and Class P Ballast(s) for indoor use. Available in electronic. PLT standard electronic 0°F and 50/60 Hz.

**Hardware:** Two stainless steel 8-32 phillips truss head screws or tamperproof screws (TORX® type) attach lens to base plate. Mounting hardware included.



30-HZ-S-CP with optional housing



30-OW with optional Graphics



30-NL-OW



30-D-CP



30-OW

**UL and C-UL Listed For Damp or Wet Locations.**

All polycarbonate components meet Underwriters Laboratories 746C tests for polymeric material and carry a flammability rating of 94HB or better on lenses and the superior 94-5V rating on housings.

Luminaire Type \_\_\_\_\_

Catalog Number \_\_\_\_\_

Job Name \_\_\_\_\_

Approval \_\_\_\_\_

## WF Harris Lighting

Innovative Lighting Designs Since 1970

P.O. Box 5023, Monroe, NC 28111-5023, USA

(704) 283-7477 • (704) 283-6880 (FAX) • (800) 842-9345 (TOLL FREE)

www.wfharris.com • e-mail: info@wfharris.com

*"A Live Operator Company Standing Ready to Serve Your Lighting Needs"*

# FLUORESCENT

## Ordering Information (Fill In Blanks For Complete Catalog Number)

Model	Lens Color	Painted Lens Color	Housing Color	Watts/Lamp	Power Factor	Volts	Options
<b>Model</b>	<b>Lens Color</b>	<b>Painted Lens Color</b>	<b>Housing Color</b>	<b>Watts/Lamp</b>	<b>Power Factor</b>	<b>Volts</b>	<b>Options</b>
<b>30</b>	<b>CP-Clear Prismatic</b>	<b>BK-Black</b>	<b>HK-Black</b>	<b>7 PL</b>	<b>NPF</b>	<b>120</b>	<b>TPS-Tamperproof Screws</b>
<b>30-S<sup>9</sup></b>	<b>OW-Opal White</b>	<b>WH-White</b>	<b>HW-White</b>	<b>9 PL</b>	<b>HPF<sup>3</sup></b>	<b>277<sup>7</sup></b>	<b>30H</b> ___-Housing (WL Included)
<b>30-D<sup>9</sup></b>		<b>BZ-Bronze</b>	<b>HB-Bronze</b>	<b>13 PL</b>			<b>K</b> -Black <b>W</b> -White or <b>B</b> -Bronze (Designate Color of Housing)
<b>30-NL<sup>1</sup></b>		<b>RS-Rose</b>	(Special Colors Available)	<b>2-7 PL<sup>2</sup></b>			<b>WL</b> -Wet Location Gasket
<b>30-HZ-S<sup>9</sup></b>		<b>GR-Green</b>		<b>2-9 PL<sup>2</sup></b>			<b>FS</b> -Fuse and Holder
		<b>YL-Yellow</b>		<b>2-13 GX<sup>7</sup></b>			<b>CW</b> -0°F Ballast <sup>4,7</sup>
				<b>18 PLT<sup>*3,6</sup></b>			<b>PC</b> -Photo Control <sup>7</sup>
				<b>26 PLT<sup>*3,6</sup></b>			<b>GCO</b> -Grounded Convenience Outlet <sup>5,7</sup>
				<b>32 PLT<sup>*3,6</sup></b>			<b>SW</b> -On/Off Switch <sup>5,7</sup>
				<b>42 PLT<sup>*3,6</sup></b>			<b>P</b> -One Class P Ballast for indoor use <sup>8</sup>
							<b>P2</b> -Two Class P Ballasts for indoor use <sup>8</sup>
							<b>LP</b> -Lamp

### Accessories

(Order Separately)  
**TPT**-Tamperproof Screwdriver

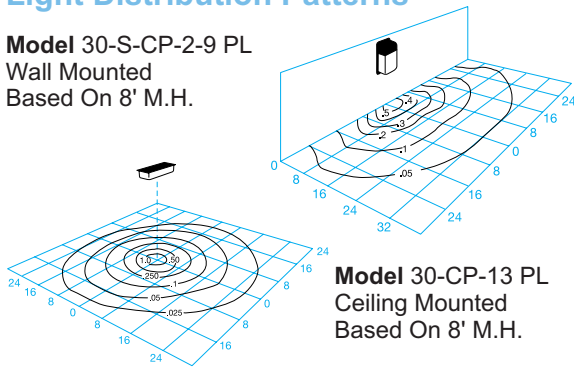


\*Electronic

- <sup>1</sup>Specify up to four numbers or letters.
- <sup>2</sup>In **Canada** two-lamp unit requires 30H.
- <sup>3</sup>Includes 30H housing.
- <sup>4</sup>Available in single-lamp luminaire.
- <sup>5</sup>Dry locations only.
- <sup>6</sup>HPF only.
- <sup>7</sup>Requires 30H housing.
- <sup>8</sup>Indoor use requires 30B housing.
- <sup>9</sup>Specify Painted Lens Color— BK (Black), WH (White), BZ (Bronze)

## Light Distribution Patterns

**Model 30-S-CP-2-9 PL**  
 Wall Mounted  
 Based On 8' M.H.

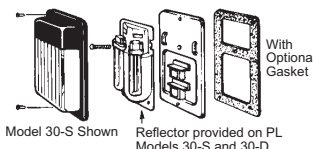


**Model 30-CP-13 PL**  
 Ceiling Mounted  
 Based On 8' M.H.

## Conversion Tables

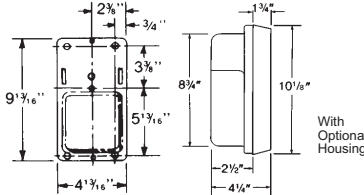
Lamp	Lamp Conversion Factor		Mounting Height	Height Conversion Factor
	Wall Mount	Ceiling Mount		
			6'	1.77
2-9 PL	1.00	1.33	7'	1.30
13 PL	.75	1.00	8'	1.00
2-7 PL	.67	.89	9'	.79
9 PL	.50	.67	10'	.64
7 PL	.33	.44		
18 PLT	1.00	1.00		
26 PLT	1.50	1.50		
32 PLT	2.00	2.00		
42 PLT	2.67	2.67		

### Exploded View



Model 30-S Shown Reflector provided on PL Models 30-S and 30-D

### Dimensions



## Using Lamp Conversion Tables

TO ADJUST FOOTCANDLES (FC) SHOWN IN DIAGRAMS AT LEFT, USE ONE OF THE FOLLOWING FORMULAS WITH LAMP CONVERSION FACTOR (LCF) AND HEIGHT CONVERSION FACTOR (HCF):

- FC x LCF = FC with alternate lamp
- FC x HCF = FC at alternate height
- FC x LCF x HCF = FC with alternate lamp at alternate height

## Fluorescent Lamp Performance

	7 Watt Twin	9 Watt Twin	13 Watt Twin	(2) 7 Watt Twin	(2) 9 Watt Twin	18 Watt PLT	26 Watt PLT	32 Watt PLT	42 Watt PLT
Input Watts	11W	11W	17W	22W	22W	18W	26W	32W	42W
Lumen Output	400	600	900	800	1,200	1,200	1,800	2,400	3,200
Lamp Life (Hours)	10,000	10,000	10,000	10,000	10,000	10,000	10,000	10,000	10,000
Min. Starting Temp	0°F	25°F	32°F	0°F	25°F	0°F	0°F	0°F	0°F

Specifications Subject to Change Without Notice

Luminaire is Warranted to be Free of Defects in Materials and Workmanship for One Year From Invoice Date.

**LENS, HOUSING, AND ALUMINUM BASE PLATE CARRY A LIFETIME GUARANTEE.**

MADE IN USA

# WF Harris Lighting

**Innovative Lighting Designs Since 1970**

P.O. Box 5023, Monroe, NC 28111-5023, USA  
 (704) 283-7477 • (704) 283-6880(FAX) • (800) 842-9345(TOLL FREE)

www.wfharris.com • e-mail: info@wfharris.com

Printed in USA

Form 1510

9/07