

# INCANDESCENT



## 300 Series *Rustproof Vandal-Resistant Wall/Ceiling Luminaire* 100 Watts Maximum-Wall 75 Watts Maximum-Ceiling

Designed for indoor/outdoor use where efficiency and style must compete with abuse by environmental elements or vandalism. **Rustproof.** Engineered with materials offering the **highest resistance to rust, corrosion and impact.** The **polycarbonate** housing is nonconductive, insuring more safety to the end user. A wide selection of colors and options adds to the versatility of this fixture. Ideally suited as security lighting for homes, schools, motels, hospitals, condominiums, and industrial, commercial, and government establishments.



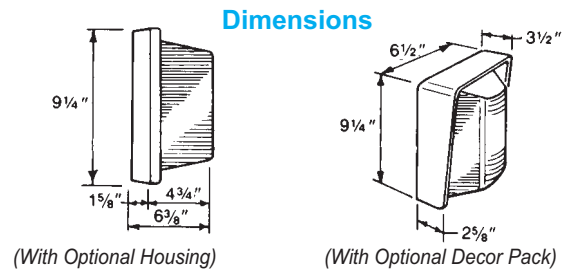
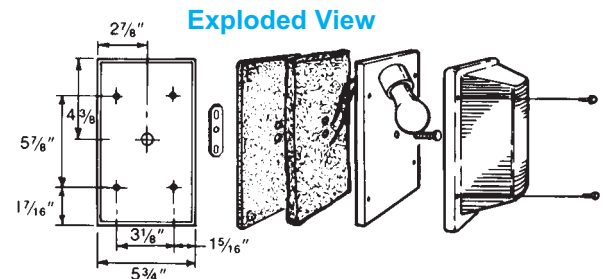
### Specifications

- Lens:** Injection molded of UV-stabilized polycarbonate. Average thickness is  $\frac{1}{8}$ ". Smooth exterior surface allows ease of cleaning.
- Base Plate:** Rustproof .080" 5052 H-32 tempered marine-grade aluminum.
- Housing (optional):** Injection molded in black, white or bronze UV-stabilized, reinforced **polycarbonate**. Rear knockout for supply wire. Available with up to four threaded connections and plugs suitable for  $\frac{1}{2}$ " conduit.
- Thermal Insulation:** One-pound density fiberglass pad controls temperature rise in junction box and surface area.
- Gasket:** Closed-cell neoprene rubber in  $\frac{1}{8}$ " thickness creates a tight seal against contaminants and moisture.
- Socket:** Medium-base ceramic with nickel-plated copper screw shell, rated 250V, 660W, with leads insulated for 105°C.
- Lamp:** Uses Type A-19 incandescent lamp. Provided by others.
- Mounting:** Ceiling or **vertically with lamp base up.**
- Hardware:** Four stainless-steel 8-32 phillips truss head screws or tamperproof screws (TORX® type) attach lens to base plate. Mounting crossbar, threaded nipple, and nut are provided.

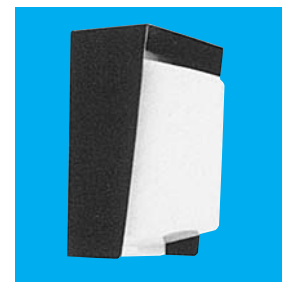
UL Listed For Wet Locations.

All polycarbonate components meet Underwriters Laboratories 746C tests for polymeric material and carry a flammability rating of 94HB or better on lenses and the superior 94-5V rating on housings.

Luminaire Type \_\_\_\_\_  
 Catalog Number \_\_\_\_\_  
 Job Name \_\_\_\_\_  
 Approval \_\_\_\_\_



Shown With Optional Housing



Shown With Optional Decor Pack

## WF Harris Lighting

Innovative Lighting Solutions Since 1970  
 P.O. Box 5023, Monroe, NC 28111-5023, USA  
 (704) 283-7477 • (704) 283-6880 (FAX) • (800) 842-9345 (TOLL FREE)  
 www.wfharris.com • e-mail: info@wfharris.com

# INCANDESCENT

Ordering Information (Fill In Blanks For Complete Catalog Number)

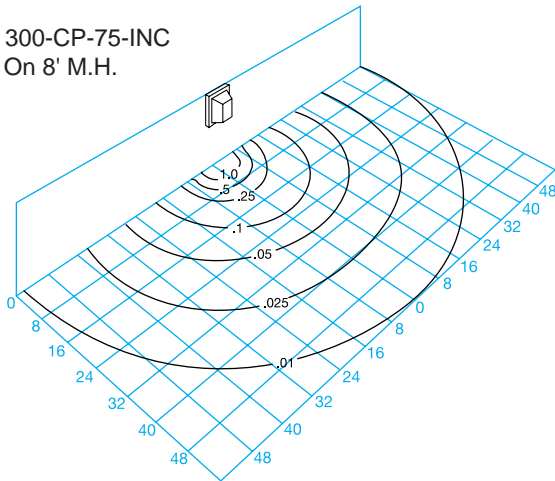
Model	Lens	Lamp	Options	Conduit Connections (3H Required)
<b>300</b>	<b>CP</b> -Clear Prismatic <b>OW</b> -Opal White <b>BZ</b> -Bronze <b>BY</b> -Buglight Yellow <b>A</b> -Amber <b>R</b> -Red <b>G</b> -Green <b>B</b> -Blue (For Official Use Only)	<b>INC</b> <sup>1</sup> (75W Ceiling Max.) (100W Wall Max.)	<b>PC</b> -Photo Control (3H Required) <b>TPS</b> -Tamperproof Screws <b>3H</b> -Housing-Specify Black (K), Bronze(Z) or White (W) and Conduit Connections <b>3H4</b> -Housing With All Four Conduit Connections (Specify Color From Above) <b>DPK</b> -Black Polycarbonate Decor Pack <b>DPW</b> -White Polycarbonate Decor Pack <b>DPZ</b> -Bronze Polycarbonate Decor Pack <b>GCO</b> -Grounded Convenience Outlet (3H Required)* <b>SW</b> -On/Off Switch (3H Required)*	<b>CRS</b> -Right Side <b>CLS</b> -Left Side <b>CT</b> -Top <b>CB</b> -Bottom (Positions Based on Facing Luminaire)

**Accessories** (Order Separately)  
**TPT**-Tamperproof Screwdriver 

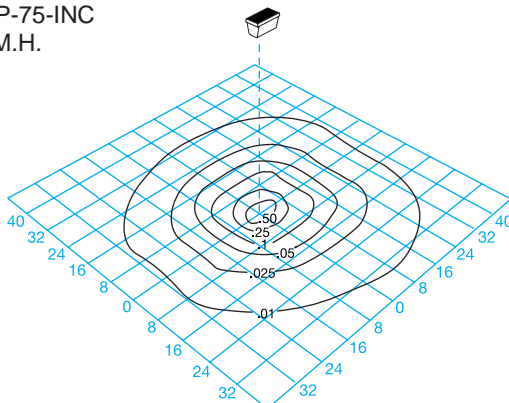
\* Indoor use only  
<sup>1</sup> Provided By Others

## Light Distribution Patterns

**Model 300-CP-75-INC**  
 Based On 8' M.H.



**Model 300-CP-75-INC**  
 Based On 8' M.H.



## Conversion Table

Lamp	Lamp Conversion Factor	Mounting Height	Height Conversion Factor
100 INC	1.39	6'	1.77
75 INC	1.00	8'	1.00
60 INC	.65	10'	.64
		12'	.45

### Using Conversion Table

TO ADJUST FOOTCANDLES (FC) IN DIAGRAM AT LEFT, USE FOLLOWING FORMULA WITH LAMP CONVERSION FACTOR (LCF) AND HEIGHT CONVERSION FACTOR (HCF):

$$FC \times LCF = FC \text{ with alternate lamp}$$

$$FC \times HCF = FC \text{ at alternate height}$$

$$FC \times LCF \times HCF = FC \text{ with alternate lamp at alternate height}$$

## LENS, HOUSING, AND ALUMINUM BASE PLATE CARRY A LIFETIME GUARANTEE.

Specifications Subject to Change Without Notice

Luminaire is Warranted to be Free of Defects in Materials and Workmanship for One Year From Invoice Date.

MADE IN USA 

**WF Harris Lighting**

Innovative Lighting Solutions Since 1970

P.O. Box 5023, Monroe, NC 28111-5023, USA

(704) 283-7477 • (704) 283-6880 (FAX) • (800) 842-9345 (TOLL FREE)

www.wfharris.com • e-mail: info@wfharris.com

Printed in USA  
 Form 1513 (R13) 04/05