

FLUORESCENT

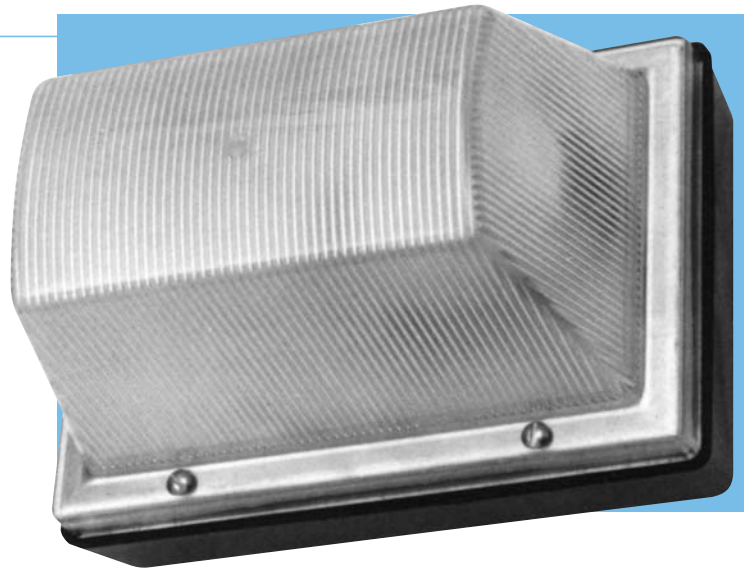


300-HZ Series *Rustproof Vandal-Resistant Wall Luminaire* 32 Watts Maximum

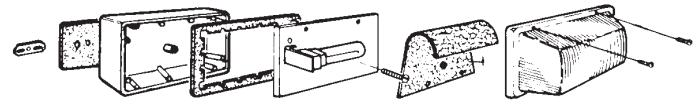
An integral reflector allows this version of our Model 300 to be wall mounted horizontally producing a downward, wide-light distribution pattern. Engineered with components and materials offering the **highest resistance to rust, corrosion, and impact**. The housing is totally nonconductive, insuring more safety to the end user. Ideally suited to illuminate building walls and perimeters, landscaping, corridors, traffic areas and entryways.

Specifications

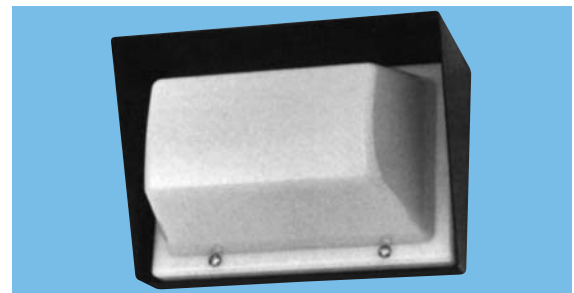
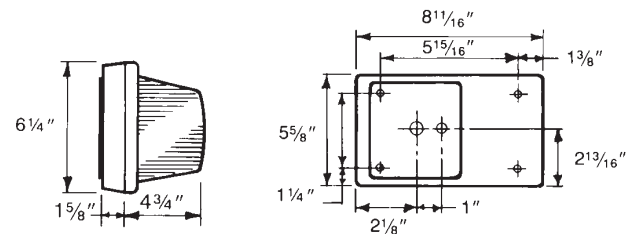
- Lens:** Injection molded of UV-stabilized **polycarbonate**. Average thickness is $\frac{1}{8}$ ". Smooth exterior surface for ease of cleaning.
- Base Plate:** Rustproof .080" 5052 H-32 tempered marine-grade aluminum.
- Housing:** Injection molded in black, white, or bronze UV-stabilized, reinforced **polycarbonate** is included. Rear knockout for supply wire. Available with up to four threaded connections and plugs suitable for $\frac{1}{2}$ " conduit.
- Reflector:** Formed of anodized aluminum projecting 77.7% total reflectivity.
- Gasket:** Closed-cell neoprene rubber in $\frac{1}{8}$ " thickness creates a tight seal against moisture and contaminants.
- Socket:** Four-pin and two-pin type. Leads insulated for 105°C.
- Lamp:** High-efficiency PL twin tube, quad tube, and PLT lamps offer up to ten times longer life and 70% energy savings over comparable incandescent lamps.
- Ballast:** Self-start preheat type in Normal Power Factor or High Power Factor for 120 or 277 volts. Optional Cold Weather (0°F) Ballast, and Class P Ballast for indoor use.
- Hardware:** Four stainless steel 8-32 phillips screws or tamperproof screws (TORX® type) attach lens to base plate. Mounting hardware provided.
- Mounting:** Must be mounted horizontally on the wall.



Exploded View



Dimensions



Shown With Optional Decor Pack

UL Listed For Wet Locations.

All polycarbonate components meet Underwriters Laboratories 746C tests for polymeric material and carry a flammability rating of 94HB or better on lenses and the superior 94-5V rating on housings.

Luminaire Type _____
Catalog Number _____
Job Name _____
Approval _____

WF Harris Lighting

Innovative Lighting Designs Since 1970

P.O. Box 5023, Monroe, NC 28111-5023, USA
(704) 283-7477 • (704) 283-6880 (FAX) • (800)842-9345 (TOLL FREE)
www.wfharris.com • e-mail: info@wfharris.com


"A Live Operator Company Standing Ready to Serve Your Lighting Needs"

FLUORESCENT

Ordering Information (Fill In Blanks For Complete Catalog Number)

Model	Lens Color	Housing Color	Watts/Lamp	Power Factor	Volts	Options	Conduit Connections
300-HZ	CP -Clear Prismatic	BK -Black	HK -Black ⁶	7 PL	NPF	120	PC -Photo Control
300-HZ-S⁶	OW -Opal White ³	WH -White	HW -White ⁶	9 PL	HPF	277	TPS -Tamperproof Screws
	BZ -Bronze ⁴	BZ -Bronze	HZ -Bronze ⁶	13 QD			CW -0°F Ballast
	BY -Buglight Yellow ⁴			18 PLT*¹			GCO -Grounded Convenience Outlet ²
	A -Amber ⁴			26 PLT*¹			SW -On/Off Switch ²
	R -Red ⁴			32 PLT*¹			HDPK -Black Aluminum Decor Pack
	G -Green ⁴						HDPZ -Bronze Aluminum Decor Pack
	B -Blue ⁴						FS -Fuse and Holder
							P -Class P Ballast for Indoor Use

Accessories (Order Separately)

TPT-Tamperproof Screwdriver 

*Electronic

¹HPF only

²Dry Locations Only

³Consult Factory for Availability and Price

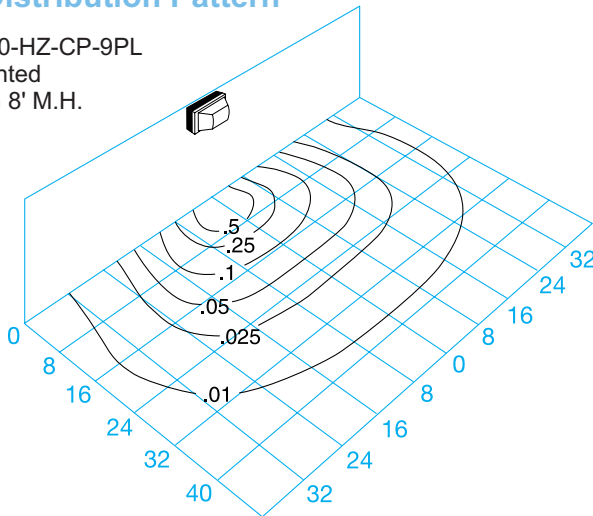
⁴Not Available in Model 300-HZ-S

⁵Specify Painted Lens Color: BK (Black), WH (White), BZ (Bronze)

⁶Housing Color Based on Painted Lens Color: BK (Black), WH (White), BZ (Bronze)

Light Distribution Pattern

Model 300-HZ-CP-9PL
Wall Mounted
Based On 8' M.H.



Conversion Table

Lamp	Lamp Conversion Factor	Mounting Height	Height Conversion Factor
13 QD	1.43	6'	1.77
9 PL	1.00	8'	1.00
7 PL	0.67	10'	0.64
18 PLT	2.00		
26 PLT	3.00		
32 PLT	4.00		

Using Conversion Table

TO ADJUST THE FOOTCANDLES (FC) SHOWN IN DIAGRAM AT LEFT, USE ONE OF THE FOLLOWING FORMULAS WITH LAMP CONVERSION FACTOR (LCF) AND HEIGHT CONVERSION FACTOR (HCF):

$$FC \times LCF = FC \text{ with alternate lamp}$$

$$FC \times HCF = FC \text{ at alternate height}$$

$$FC \times LCF \times HCF = FC \text{ with alternate lamp at alternate height}$$

Fluorescent Lamp Performance

	7 Watt Twin Tube	9 Watt Twin Tube	13 Watt Quad Tube	18 Watt Triple Tube	26 Watt Triple Tube	32 Watt Triple Tube
Input Watts	11W	13W	17W	18W	26W	32W
Lumen Output	400	600	860	1,200	1,800	2,400
Lamp Life (Hours)	10,000	10,000	10,000	10,000	10,000	10,000
Min. Starting Temperature	0°F	25°F	32°F	0°F	0°F	0°F

Specifications Subject to Change Without Notice

Luminaire is Warranted to be Free of Defects in Materials and Workmanship for One Year From Invoice Date.

**LENS, HOUSING, AND ALUMINUM BASE
PLATE CARRY A LIFETIME GUARANTEE.**

MADE IN USA 

WF Harris Lighting

Innovative Lighting Designs Since 1970

P.O. Box 5023, Monroe, NC 28111-5023, USA

(704) 283-7477 • (704) 283-6880 (FAX) • (800)842-9345 (TOLL FREE)

www.wfharris.com • e-mail: info@wfharris.com

Printed in USA

Form 1524

9/07