

HPS-METAL HALIDE

300-HZ Series

Rustproof Vandal-Resistant Wall Luminaire
50 Watts Maximum



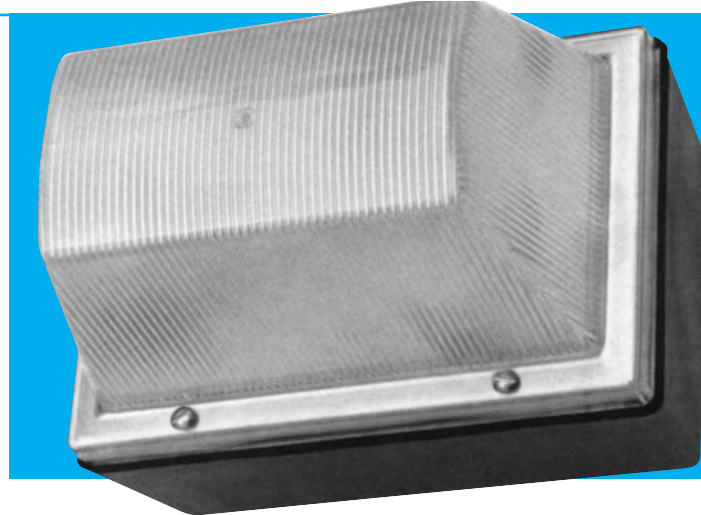
An integral reflector allows this version of our Model 300 to be wall mounted horizontally producing a downward, wide-light distribution pattern. Engineered with components and materials offering the **highest resistance to rust, corrosion, and impact**. The housing is totally nonconductive, insuring more safety to the end user. Ideally suited to illuminate building walls and perimeters, landscaping, corridors, traffic areas, and entryways.

Specifications

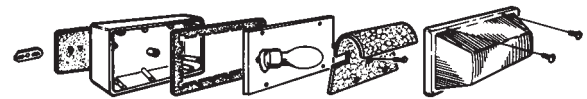
Lens:	Injection molded of UV-stabilized polycarbonate. Average thickness is 1/8". Smooth exterior surface allows ease of cleaning.
Base Plate:	Rustproof .080" 5052 H-32 tempered marine-grade aluminum.
Housing:	Injection molded in black, white, or bronze UV-stabilized, reinforced polycarbonate. Rear knockout for supply wire. Available with up to four threaded connections and plugs suitable for 1/2" conduit.
Reflector:	Formed of anodized aluminum projecting 77.7% total reflectivity.
Gasket:	Closed-cell neoprene rubber in 1/8" thickness creates a tight seal against moisture and contaminants.
Socket:	Medium-base phenolic, 4KV pulse rated with leads insulated for 200°C; 660W, 600V.
Lamp:	High-efficiency, medium-base High Pressure Sodium lamp in 35 (ANSI S76) and 50 (ANSI S68) watts. Metal Halide in 50 watts (ANSI M110). UV shielded metal halide lamp available.
Ballast:	High Pressure Sodium and Metal Halide reactor type Normal Power Factor (NPF) or High Power Factor (HPF) for 120V and 277.
Hardware:	Four stainless-steel 8-32 phillips truss head screws or tamperproof screws (TORX® type) attach lens to base plate. Mounting hardware provided.
Mounting:	Must be mounted horizontally on the wall.

UL Listed For Wet Locations.

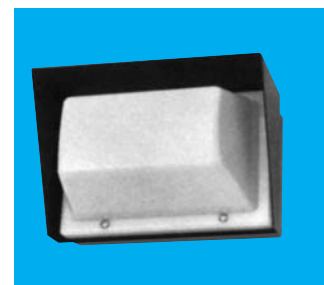
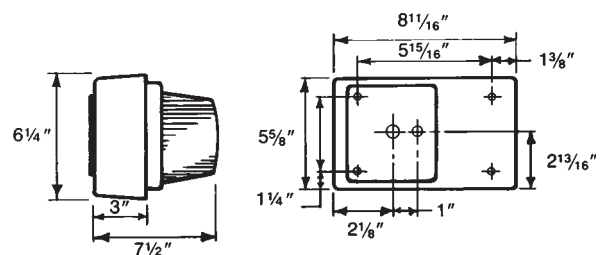
All polycarbonate components meet Underwriters Laboratories 746C tests for polymeric material and carry a flammability rating of 94HB or better on lenses and the superior 94-5V rating on housings.



Exploded View



Dimensions



Shown With Optional Decor Pack

Luminaire Type _____
 Catalog Number _____
 Job Name _____
 Approval _____

WF Harris Lighting

Innovative Lighting Designs Since 1970

P.O. Box 5023, Monroe, NC 28111-5023, USA (704) 283-7477
 www.wfharris.com (704) 283-6880 (FAX) EMAIL: info@wfharris.com

HPS-METAL HALIDE

Ordering Information (Fill In Blanks For Complete Catalog Number)

Model	Lens Color	Housing Color	Watts/Lamp	Power Factor	Volts	Options
300-HZ	CP -Clear Prismatic OW -Opal White	HK -Black HW -White HB -Bronze	35 HPS 50 HPS 50 MH	NPF HPF	120 120/277¹	PC -Photo Control ² LP -Lamp TPS -Tamperproof Screws FS -Fuse and Holder HDPK -Black Aluminum Decor Pack HDPZ -Bronze Aluminum Decor Pack CRS -Conduit Connection on Right Side ³ CLS -Conduit Connection on Left Side ³ CT -Conduit Connection on Top ³ CB -Conduit Connection on Bottom ³ C4 -Conduit Connection on All Four Sides

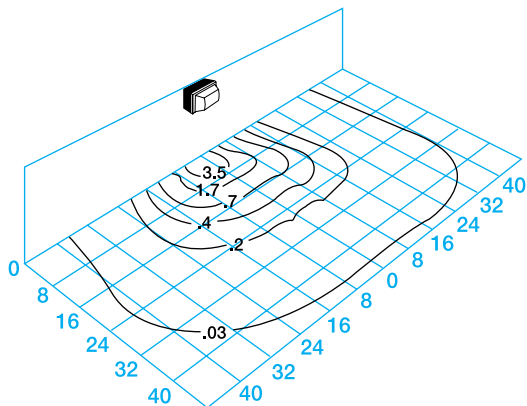
Accessories (Order Separately)
TPT-Tamperproof Screwdriver



¹ HPF only
² Specify Voltage
³ Positions Based on Facing Luminaire

Light Distribution Pattern

Model 300-HZ-CP-50HPS
Wall Mounted 8' M.H.



Conversion Table

Lamp	Lamp Conversion Factor	Mounting Height	Height Conversion Factor
50 HPS	1.00	8'	1.00
35 HPS	0.56	10'	0.64
50 MH	0.85	12'	0.45

Using Conversion Table

TO ADJUST FOOTCANDLES (FC) IN DIAGRAM AT LEFT, USE ONE OF THE FOLLOWING FORMULAS WITH LAMP CONVERSION FACTOR (LCF) AND HEIGHT CONVERSION FACTOR (HCF):

$$FC \times LCF = FC \text{ with alternate lamp}$$

$$FC \times HCF = FC \text{ at alternate height}$$

$$FC \times LCF \times HCF = FC \text{ with alternate lamp at alternate height}$$

Specifications Subject to Change Without Notice

Luminaire is Warranted to be Free of Defects in Materials and Workmanship for One Year From Invoice Date.

LENS, HOUSING, AND ALUMINUM BASE PLATE CARRY A LIFETIME GUARANTEE.

MADE IN USA

WF Harris Lighting

Innovative Lighting Designs Since 1970

P.O. Box 5023, Monroe, NC 28111-5023, USA (704) 283-7477
www.wfharris.com (704) 283-6880 (FAX) EMAIL: info@wfharris.com

Printed in USA
Form 1525 3/03