

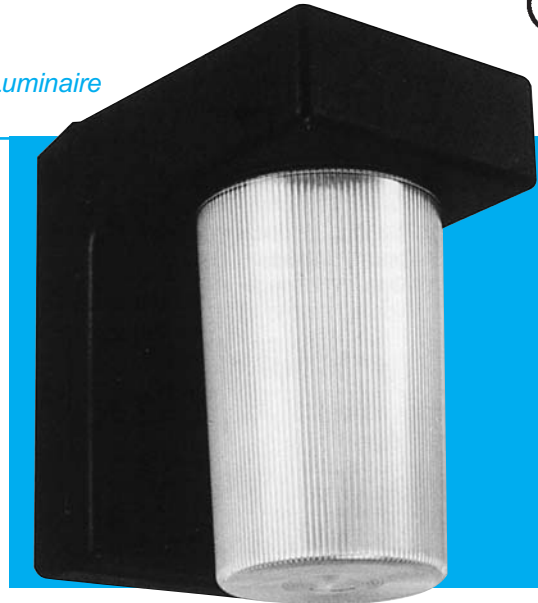
# LOW PRESSURE SODIUM



## 1000 Series

*Rustproof Vandal-Resistant Wall Luminaire  
18 Watts Maximum*

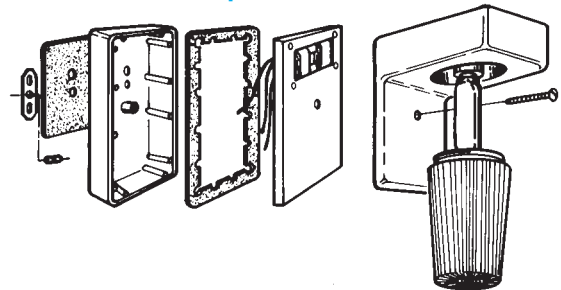
This wall bracket fixture is as durable as it is attractive. Suitable for indoor/outdoor applications ranging from residential to commercial environments. Engineered with components and materials offering the **highest resistance to rust, corrosion, and impact**. The housing is totally nonconductive, insuring more safety to the end user. Ideally suited as security lighting for schools, motels, hospitals, condominiums; and industrial, commercial, and government buildings. **Light doesn't attract insects; is environmentally friendly (recommended for oceanfront and coastal area lighting); most energy efficient lighting source; and won't contribute to light pollution.**



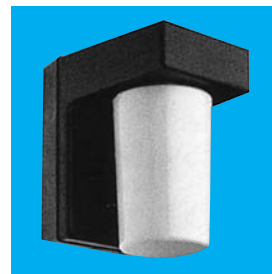
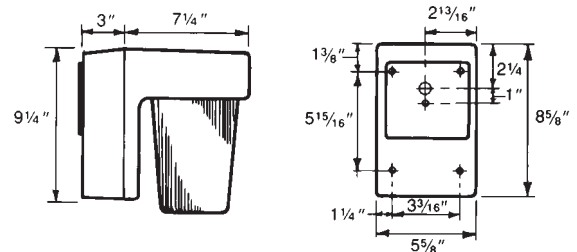
### Specifications

<b>Lens:</b>	Injection molded of UV-stabilized polycarbonate with threaded neck for screw-in attachment. Average thickness is $\frac{1}{8}$ ". Smooth exterior surface for ease of cleaning.
<b>Base Plate:</b>	Rustproof .080" 5052 H-32 tempered marine-grade aluminum.
<b>Housing:</b>	Injection molded in black, white or bronze UV-stabilized, reinforced polycarbonate. Rear knockout for supply wire. Available with up to four threaded connections and plugs suitable for $\frac{1}{2}$ " conduit.
<b>Gasket:</b>	Closed-cell neoprene rubber in $\frac{1}{8}$ " thickness creates a tight seal against moisture and contaminants.
<b>Socket:</b>	High-temperature phenolic double-contact base type.
<b>Lamp: (optional)</b>	Super high-efficiency 18 watt SOX (ANSI L69RA 18) double contact base type.
<b>Ballast:</b>	Reactor type Normal Power Factor (NPF) or High Power (HPF) for 120V or 120/277V.
<b>Hardware:</b>	Optional Lens-Lock screws are $\frac{1}{4}$ -20 socket set screws. Mounting hardware included.
<b>Mounting:</b>	Wall mounting only.

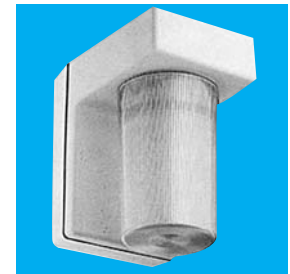
Exploded View



Dimensions



Shown With Opal White Lens



Shown With White Lens White Housing

UL, C-UL Listed For Wet Locations.

All polycarbonate components meet Underwriters Laboratories 746C tests for polymeric material and carry a flammability rating of 94HB or better on lenses and the superior 94-5V rating on housings.

Luminaire Type \_\_\_\_\_  
 Catalog Number \_\_\_\_\_  
 Job Name \_\_\_\_\_  
 Approval \_\_\_\_\_

## WF Harris Lighting

Innovative Lighting Designs Since 1970

P.O. Box 5023, Monroe, NC 28111-5023, USA  
 (704) 283-7477 • (704) 283-6880(FAX) • (800) 842-9345(TOLL FREE)  
 www.wfharris.com • e-mail: info@wfharris.com

*"A Live Operator Company Standing Ready to Serve Your Lighting Needs"*

# LOW PRESSURE SODIUM

Ordering Information (Fill In Blanks For Complete Catalog Number)

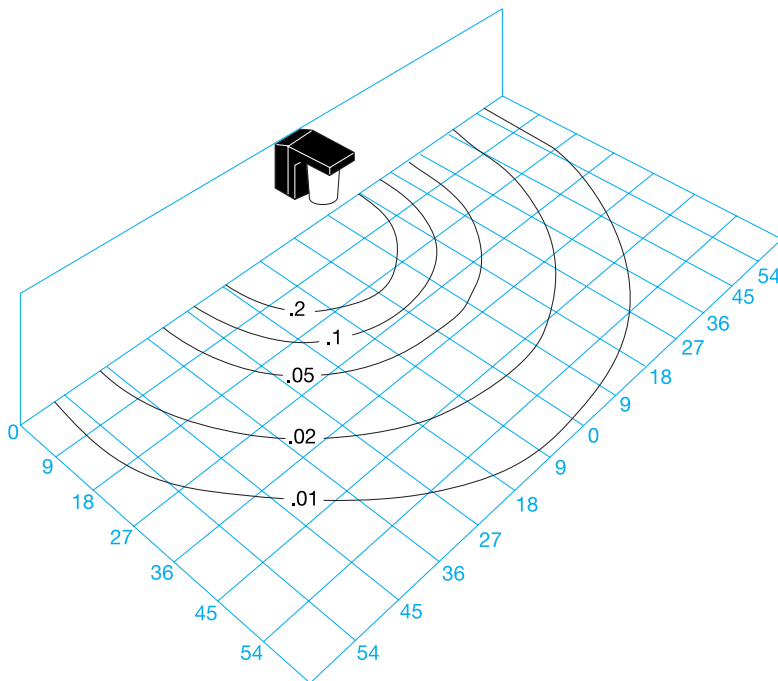
Model	Lens	Housing	Watts-Lamp	Power Factor	Volts	Options	Conduit Connections
<b>1000</b>	<b>CP</b> -Clear Prismatic <b>OW</b> -Opal White	<b>HK</b> -Black <b>HW</b> -White <b>HB</b> -Bronze	<b>18 LPS</b>	<b>NPF</b> <sup>1</sup> <b>HPF</b>	<b>120</b> <b>120/277</b>	<b>PC</b> -Photo Control <sup>2</sup> <b>LP</b> -Lamp <b>LL</b> -Lens Lock <b>FS</b> -Fuse and Holder	<b>CRS</b> -Right Side <b>CLS</b> -Left Side <b>CT</b> -Top <b>CB</b> -Bottom <b>C4</b> -All (Positions Based on Facing Fixture)

<sup>1</sup>120V Only

<sup>2</sup>Specify 120V or 277V

## Light Distribution Pattern

Model 1000-CP-18LPS  
Wall Mounted 9' M.H.  
Test Report No. 25412



## Conversion Table

Mounting Height	Height Conversion Factor
8'	1.28
9'	1.00
10'	.81
12'	.56

### Using Conversion Table

TO ADJUST FOOTCANDLES (FC) SHOWN IN DIAGRAM AT LEFT, USE FOLLOWING FORMULA WITH HEIGHT CONVERSION FACTOR (HCF):

$$FC \times HCF = FC \text{ at alternate height}$$

Specifications Subject to Change Without Notice

Luminaire is Warranted to be Free of Defects in Materials and Workmanship for One Year From Invoice Date.

**LENS, HOUSING, AND ALUMINUM BASE PLATE CARRY A LIFETIME GUARANTEE.**

MADE IN USA 

**WF Harris Lighting**

Innovative Lighting Designs Since 1970

P.O. Box 5023, Monroe, NC 28111-5023, USA  
(704) 283-7477 • (704) 283-6880(FAX) • (800) 842-9345(TOLL FREE)  
www.wfharris.com • e-mail: info@wfharris.com

Printed in USA  
Form 1529 01/02