

INCANDESCENT



800 Series – 12" Cube 150 Watts Maximum

900 Series – 14" Cube 200 Watts Maximum

925 Series – 16" Cube 250 Watts Maximum

Rustproof Post-Top Fixtures

Sleek, uncluttered lines in a contemporary form make these luminaires the natural choices for so many architectural environments. Using the finest thermoplastic polymers available, the cubes are handcrafted with expert precision. A greater $\frac{3}{16}$ " thickness enhances impact strength and structural beauty. The simple construction affords easy installation and a long life of maintenance-free service. Impressive atop a post or wall bracket.

Specifications

Lens Enclosure: Standard in UV-stabilized, impact-resistant acrylic. Also available for high-abuse areas in virtually unbreakable **polycarbonate**. Colors include clear, opal white, smoke bronze. For optimal lumen output, **the HT (high transmittance) lens features textured clear sides, mirrored top, and a clear bottom.** Cubes are provided with four captive stainless steel screws which allow for retention to post fitter by 8-32 brass hex head cap screws.

Post Fitter: Injection molded UV-stabilized, noncorrosive and nonconductive **polycarbonate** in black or bronze. Provided with 3 stainless steel tamperproof set screws for attachment to any 3" O.D. post.

Socket: Medium base ceramic with nickel-plated copper screw shell, rated 250V, 660W with silicone braid leads.

Lamp: Uses Type A-19 up to 100W; Type A-21 for 150W; Type A-23 for 200W. (Provided by others.)

Diffuser: (optional) Prismatic diffuser softens the lamp image and enhances appearance and the general distribution of light in translucent lenses. Lexan® **polycarbonate** diffuser suitable for 75W maximum. Glass diffuser is suitable for 200W maximum.

Wall Bracket: (optional) Aluminum or steel welded construction in black or bronze painted finish. Base measures 6" x 9" and arm measures 2" wide x 3" high x 10" long. Stem comes in 6" or 14" lengths.

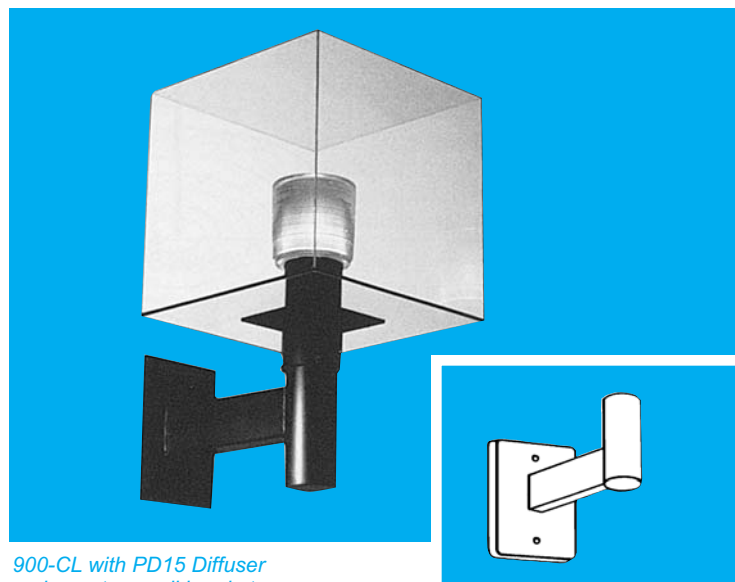
Post: Available separately. Maximum recommended mounting height is 14'.

UL Listed For Wet Locations.

All polycarbonate components meet Underwriters Laboratories 746C tests for polymeric material and carry a flammability rating of 94HB or better on lenses and the superior 94-5V rating on housings.



925-HT shown on post



900-CL with PD15 Diffuser on long-stem wall bracket.

Inset shows short-stem wall bracket.

Luminaire Type _____
Catalog Number _____
Job Name _____
Approval _____

WF Harris Lighting

Innovative Lighting Solutions Since 1970

P.O. Box 5023, Monroe, NC 28111-5023, USA

(704) 283-7477 • (704) 283-6880 (FAX) • (800) 842-9345 (TOLL FREE)

www.wfharris.com • e-mail: info@wfharris.com

INCANDESCENT

Ordering Information (Fill In Blanks For Complete Catalog Number)

Model	Lens	Fitter	Watts-Lamp	Options
Model	Lens Color	Fitter	Watts-Lamp	Options
800	OW-Opal White	FK-Black	150-INC ⁴	PC-Photo Control
900	CL-Clear	FZ-Bronze	200-INC ^{2,4}	PD7-75W Max. Polycarbonate Diffuser
925	CT-Clear Textured			PD15-200W Max. Glass Diffuser
	BZ-Bronze			LX-Polycarbonate Lens
	HT-High Transmittance			ASWBK-Aluminum Short-Stem Black Wall Bracket ³
	CLB-Clear Bottom with Colored Lens ¹			SSWBK-Steel Short-Stem Black Wall Bracket ³
				ALWBK-Aluminum Long-Stem Black Wall Bracket ³
				SLWBK-Steel Long-Stem Black Wall Bracket ³
				GRAPHICS-Numbers, Symbols, Letters, Logos

¹Ordering Example: OW/CLB

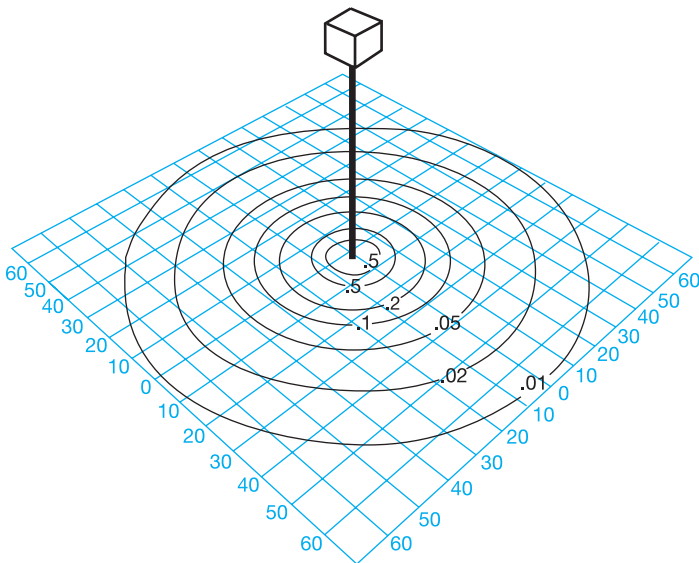
²N/A for 800 Series

³Also available in Bronze finish. Substitute BZ in Catalog Number (example: ASWBZ)

⁴Provided by Others

Light Distribution Pattern

Model 925-CL-150-INC
Based On 10' M.H.
Produced From
Test Report No. 30213M



Conversion Table

Lamp	Lamp Conversion Factor	Mounting Height	Height Conversion Factor
200-INC	1.43	8'	1.56
150-INC	1.00	10'	1.00
100-INC	.63	12'	.69
75-INC	.45	14'	.50

Using Conversion Table

TO ADJUST FOOTCANDLES (FC) SHOWN IN DIAGRAM AT LEFT, USE FOLLOWING FORMULA WITH LAMP CONVERSION FACTOR (LCF) AND HEIGHT CONVERSION FACTOR (HCF):

$$FC \times LCF = FC \text{ with alternate lamp}$$

$$FC \times HCF = FC \text{ at alternate height}$$

$$FC \times LCF \times HCF = FC \text{ with alternate lamp at alternate height}$$

Specifications Subject to Change Without Notice

Luminaire is Warranted to be Free of Defects in Materials and Workmanship for One Year From Invoice Date.

MADE IN USA 

WF Harris Lighting

Innovative Lighting Solutions Since 1970

P.O. Box 5023, Monroe, NC 28111-5023, USA
(704) 283-7477 • (704) 283-6880 (FAX) • (800) 842-9345 (TOLL FREE)
www.wfharris.com • e-mail: info@wfharris.com

Printed in USA
Form 1532 (R7) 04/05