

# HIGH INTENSITY DISCHARGE

**800 Series — 12" Cube** 150 Watts High Pressure Sodium, 50 Watts Metal Halide

**900 Series — 14" Cube** 150 Watts High Pressure Sodium, 50 Watts Metal Halide

**925 Series — 16" Cube** 150 Watts High Pressure Sodium, 50 Watts Metal Halide



## Rustproof, Impact-Resistant Post-Top Luminaires

Sleek, uncluttered lines in a contemporary form make these luminaires the natural choices for so many architectural environments. Using the finest thermoplastic polymers available, the cubes are handcrafted with expert care. A greater  $\frac{3}{16}$ -inch thickness enhances impact strength and structural beauty. The simple construction affords easy installation and a long life of maintenance-free service. Impressive atop a post or wall bracket.

## Specifications

**Lens:** Standard in UV-stabilized, impact-resistant acrylic. Also available for high-abuse areas in virtually unbreakable **polycarbonate**. Colors include clear, opal white and smoked bronze. For optimal lumen output, our **HT (high transmittance) lens features textured clear sides, mirrored top, and a clear bottom**. Cubes are provided with four captive stainless steel screws which allow for retention to post fitter by 8-32 brass hex head cap screws.

**Post Fitter:** Injection molded UV-stabilized, noncorrosive and non-conductive **polycarbonate** in black or bronze colors. Provided with 3 stainless steel tamperproof set screws for attachment to any 3" O.D. post.

**Socket:** UL Listed medium base 4kV pulse rated 660W 600V with leads suitable for 200°C.

**Ballast:** HID postline ballast available in Normal Power Factor (NPF) or High Power Factor (HPF) 120V. 70W HPFS, 100W HPS HPF also available in dedicated 208V, 240V, 277V. 2-17/32" diameter ballast is mounted to a zinc-plated steel bracket which is attached to post fitter and socket assembly.

**Lamp: (optional)** HPS medium base 35W (ANSI S76), 50W (S68), 70W (S62), 100W (S54), and 150W (S55). MH medium base 50W (M110).

**Diffuser: (optional)** Prismatic diffuser softens the lamp image and enhances appearance and the general distribution of light in translucent lenses. PD7 Lexan® polycarbonate diffuser is suitable for 70W maximum. PD15 Glass diffuser is suitable for 150W maximum.

**Wall Bracket: (optional)** Aluminum or steel welded construction in black or bronze painted finish. Base measures 6" x 9" and arm measures 2"(W) x 3"(D) x 10"(H). Stem comes in 14" or 19" lengths depending on specific ballast dimensions.

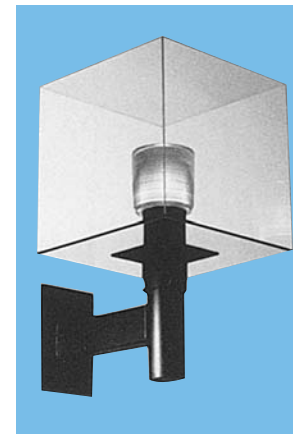
**Post:** Available separately. Luminaires suitable for use with noninsulated metal posts only, minimum I.D.  $2\frac{5}{8}$ ". See post fitter for maximum O.D. Maximum recommended mounting height is 14'.

## UL Listed For Wet Locations.

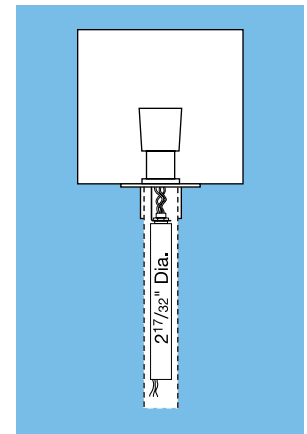
All polycarbonate components meet Underwriters Laboratories 746C tests for polymeric material and carry a flammability rating of 94HB or better on lenses and the superior 94-5V rating on housings.



925-HT shown on post



900-CL with PD15 Diffuser shown on Wall Bracket



View of postline ballast

Luminaire Type \_\_\_\_\_  
Catalog Number \_\_\_\_\_  
Job Name \_\_\_\_\_  
Approval \_\_\_\_\_

## WF Harris Lighting

Innovative Lighting Solutions Since 1970

P.O. Box 5023, Monroe, NC 28111-5023, USA

(704) 283-7477 • (704) 283-6880 (FAX) • (800) 842-9345 (TOLL FREE)

www.wfharris.com • e-mail: info@wfharris.com

# HIGH INTENSITY DISCHARGE

Ordering Information (Fill In Blanks For Complete Catalog Number)

Model    Lens    Filter    Watts-Lamp    Power Factor    Volts    Options

Model	Lens Color	Filter	Watts/Lamp	Power Factor	Volts	Options
800	CL-Clear	FK-Black	35-HPS	NPF	120	PC-Photo Control
900	OW-Opal White	FZ-Bronze	50-HPS	HPF		LP-Lamp
925	CT-Clear Textured		70-HPS <sup>3</sup>			PD7-70W Max. Polycarbonate Diffuser
	BZ-Bronze		100-HPS <sup>3</sup>			PD15-150 W Max. Glass Diffuser
	HT-High Transmittance		150-HPS <sup>1</sup>			LX-Polycarbonate Lens
	CBL-Clear Bottom With Above Colored Lens		50-MH			FS-Fuse and Holder
						ALWBK-Aluminum Black Wall Bracket <sup>3</sup>
						ALWBZ-Aluminum Bronze Wall Bracket <sup>3</sup>
						SLWBK-Steel Black Wall Bracket <sup>3</sup>
						SLWBZ-Steel Bronze Wall Bracket <sup>3</sup>

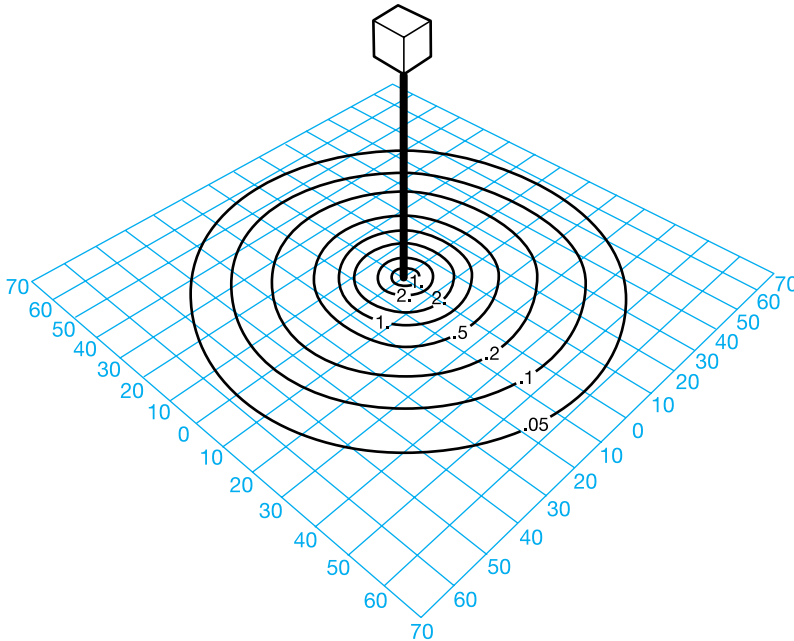
<sup>1</sup>N/A with 800

<sup>2</sup>Also Available in Dedicated 208V, 240V, 277V Ballasts

<sup>3</sup>N/A with 100W and 150W HPS HPF or dedicated 208V, 240V, 277V

## Light Distribution Pattern

Model 900-CL-100 HPS  
Based On 10' M.H.  
Test Report No. 20213



## Conversion Table

Lamp	Lamp Conversion Factor	Mounting Height	Height Conversion Factor
150-HPS	1.68	8'	1.56
100-HPS	1.00	10'	1.00
70-HPS	.66	12'	.69
50-HPS	.42	14'	.50
35-HPS	.24	16'	.40
50-MH	.36		

### Using Conversion Table

TO ADJUST FOOTCANDLES (FC) SHOWN IN DIAGRAM AT LEFT, USE FOLLOWING FORMULA WITH LAMP CONVERSION FACTOR (LCF) AND HEIGHT CONVERSION FACTOR (HCF):

- FC x LCF = FC with alternate lamp
- FC x HCF = FC at alternate height
- FC x LCF x HCF = FC with alternate lamp at alternate height

Specifications Subject to Change Without Notice

Luminaire is Warranted to be Free of Defects in Materials and Workmanship for One Year From Invoice Date.

MADE IN USA

**WF Harris Lighting**

Innovative Lighting Solutions Since 1970

P.O. Box 5023, Monroe, NC 28111-5023, USA  
(704) 283-7477 • (704) 283-6880 (FAX) • (800) 842-9345 (TOLL FREE)  
www.wfharris.com • e-mail: info@wfharris.com