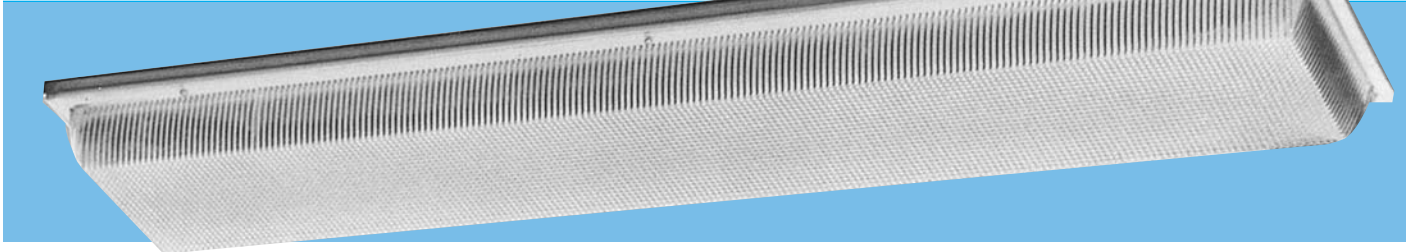


FLUORESCENT



240 Series *Vandal-Resistant Ceiling Luminaire* *Two 40 Watts Maximum*



This fluorescent luminaire with standard electronic ballast combines optimal light distribution and energy efficiency with impact resistance in an aesthetically attractive design. Options such as an emergency battery system and a PL fluorescent night light eliminate the need for special-purpose lighting. For indoor and protected outdoor uses, this luminaire is perfect for schools, hospitals, prisons; and public, commercial, and government buildings.

Specifications

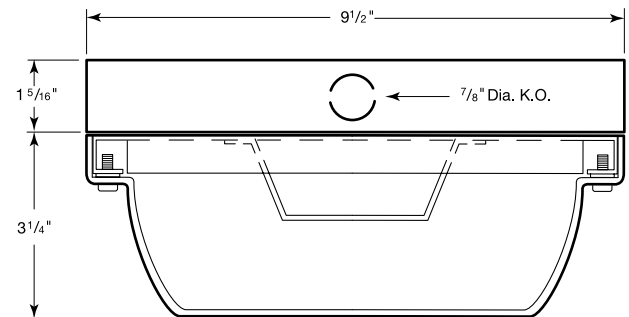
- Lens:** Pressure formed of clear or opal white UV-stabilized **polycarbonate** in average $\frac{1}{8}$ " thickness. Clear lens is enhanced with prisms engineered for maximum light control.
- Base Plate:** Die formed of 20-gauge steel or aluminum with high-reflectance white baked enamel finish applied **after forming**. Optional: 16-gauge steel.
- Gasket:** Concealed polyethylene gasket is bonded to lens to create a tight seal against contaminants and moisture.
- Wireway:** Tool-less tab attachment facilitates installation and removal of wireway channel.
- Ballast:** FLT5 and FLT8 lamps are available with world class universal ballasts. All other lamps available dedicated electronic.
- Lamps: (optional)** Rapid-start bipin, 48", either two 40FLT12 or two energy-saving 32FLT8 or two energy-saving high-output 54FLT5.
- Emergency Battery Pack: (optional)** Nickel cadmium battery is maintenance free with a life of 7-10 years and a 90-minute emergency operating time. Lamp(s) will switch to emergency operation during power interruption. When A.C. power is restored, the lamp(s) are switched back to the ballast and the battery is recharged within 24 hours. Note: Can be wired to operate only during power interruption (Emergency available - see Emergency Fixture Information Sheet, Form 1568).
- Housing/ Corner Bracket:** Die formed of 16-gauge steel with baked enamel white finish. Knockout for $\frac{1}{2}$ " conduit on each end and six mounting holes provided. Both housing and corner bracket are optional.
- Hardware:** Six stainless steel phillips head screws or optional Torx® type tamperproof screws with speed nuts are provided for lens attachment. Mounting hardware provided by others.

UL and C-UL Listed For Wet Locations

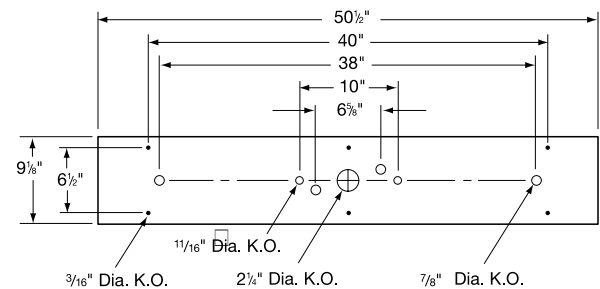
All polycarbonate components meet Underwriters Laboratories 746C tests for polymeric material and carry a flammability rating of 94HB or better on lenses and the superior 94-5V rating on housings.

Luminaire Type _____
 Catalog Number _____
 Job Name _____
 Approval _____

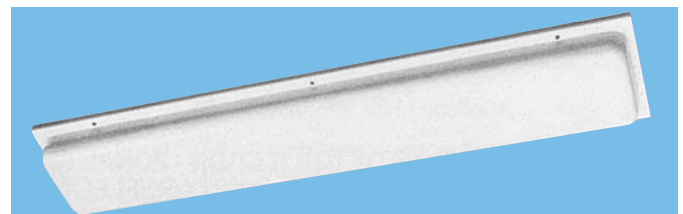
Dimensions



Shown With Optional Housing



Base Plate Hole Pattern



Shown With Opal White Lens

WF Harris Lighting

Innovative Lighting Designs Since 1970

P.O. Box 5023, Monroe, NC 28111-5023, USA

(704) 283-7477 • (704) 283-6880(FAX) • (800) 842-9345(TOLL FREE)

www.wfharris.com • e-mail: info@wfharris.com

"A Live Operator Company Standing Ready to Serve Your Lighting Needs"

FLUORESCENT

Ordering Information (Fill In Blanks For Complete Catalog Number)

| Model | Lens | Watts-Lamp | Power Factor | Volts | Options | Installation Wet Location |
|-------|-----------------------------------|-------------|--------------|-------|--|---------------------------|
| Model | Lens | Watts Lamp | Power Factor | Volts | Options | Installation Wet Location |
| 240 | CP-Clear Prismatic | 2-40 FL-T12 | HPF | 120 | LP-Two 40FLT12 or Two 32FLT8 or Two 54FLT5 | |
| 240S | OW-Opal White Smooth ¹ | 2-32 FL-T8 | | 277 | AL- Marine Grade Aluminum Base Plate | |
| | | 2-54 FL-T5 | | 347 | EB- Electronic Ballast | |

For Wet Locations, please specify installation choice: Ceiling, Wall Vertical, or Wall Horizontal.

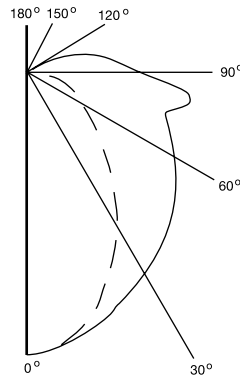
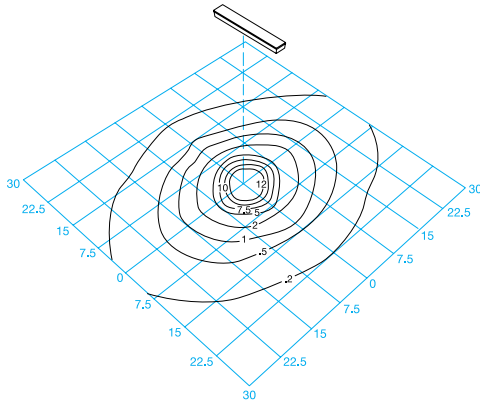
Accessories (Order Separately)
TPT-Tamperproof Screwdriver

¹ Available with Graphics

- EM- Emergency Battery Pack For One Lamp²
- EM2- Emergency Battery Pack For Two Lamps²
- EMO2- Emergency Mode Only²
- WLO-240- Wet Location Ballast Outside Gasket (Must Specify Application)
- FS- Fuse and Holder
- FNLP-120 - 9W PL Night Light With Lamp for 120V
- FNLP-277-9W PL Night Light with Lamp for 277V
- G16- 16 Gauge Steel Base Plate
- 240B- Surface Conduit Box
- 240C- Corner Mounting Bracket
- TPS- Stainless Steel Tamperproof Screws

Photometric Data

Model 240-CP-2-40FL
Ceiling Mounted 7.5' M.H.
Test Report No. 34734



Conversion Tables

| Lamp | Lamp Conversion Factor | Mounting Height | Height Conversion Factor |
|--------|------------------------|-----------------|--------------------------|
| Two-40 | 1.00 | 7.5' | 1.00 |
| Two-32 | .93 | 10' | .56 |
| Two-54 | 1.59 | 12' | .40 |
| | | 14' | .29 |

Using Conversion Tables

TO ADJUST FOOTCANDLES (FC) SHOWN IN DIAGRAM AT LEFT, USE ONE OF THE FOLLOWING FORMULAS WITH LAMP CONVERSION FACTOR (LCF) AND HEIGHT CONVERSION FACTOR (HCF):

- FC x LCF = FC with alternate lamp
- FC x HCF = FC at alternate height
- FC x LCF x HCF = FC with alternate lamp at alternate height

COEFFICIENTS OF UTILIZATION - ZONAL CAVITY METHOD EFFECTIVE FLOOR CAVITY REFLECTANCE 0.20

| RC | 80 | | | | 70 | | | | 50 | | | 30 | | | 10 | | | 0 |
|----|----|----|----|----|----|----|----|----|----|----|----|----|----|----|----|----|----|----|
| | 70 | 50 | 30 | 10 | 70 | 50 | 30 | 10 | 50 | 30 | 10 | 50 | 30 | 10 | 50 | 30 | 10 | 0 |
| 0 | 57 | 57 | 57 | 57 | 56 | 56 | 56 | 56 | 52 | 52 | 52 | 49 | 49 | 49 | 46 | 46 | 46 | 44 |
| 1 | 52 | 49 | 46 | 44 | 50 | 47 | 45 | 43 | 44 | 42 | 41 | 41 | 40 | 39 | 39 | 38 | 36 | 35 |
| 2 | 47 | 42 | 39 | 36 | 45 | 41 | 38 | 35 | 38 | 36 | 33 | 36 | 34 | 32 | 34 | 32 | 30 | 29 |
| 3 | 43 | 37 | 33 | 30 | 41 | 36 | 32 | 29 | 34 | 31 | 28 | 32 | 29 | 27 | 30 | 28 | 26 | 25 |
| 4 | 39 | 33 | 29 | 25 | 38 | 32 | 28 | 25 | 30 | 27 | 24 | 28 | 26 | 23 | 27 | 24 | 22 | 21 |
| 5 | 36 | 29 | 25 | 22 | 34 | 29 | 24 | 21 | 27 | 23 | 20 | 25 | 22 | 20 | 24 | 21 | 19 | 18 |
| 6 | 33 | 26 | 22 | 19 | 32 | 26 | 21 | 18 | 24 | 21 | 18 | 23 | 20 | 17 | 22 | 19 | 17 | 16 |
| 7 | 31 | 24 | 19 | 16 | 29 | 23 | 19 | 16 | 22 | 18 | 16 | 21 | 18 | 15 | 20 | 17 | 15 | 14 |
| 8 | 28 | 21 | 17 | 14 | 27 | 21 | 17 | 14 | 20 | 16 | 14 | 19 | 16 | 13 | 18 | 15 | 13 | 12 |
| 9 | 26 | 19 | 15 | 12 | 25 | 19 | 15 | 12 | 18 | 14 | 12 | 17 | 14 | 12 | 16 | 13 | 11 | 10 |
| 10 | 24 | 18 | 14 | 11 | 23 | 17 | 13 | 11 | 16 | 13 | 11 | 16 | 13 | 10 | 15 | 12 | 10 | 9 |

Specifications Subject to Change Without Notice

Fixture is Warranted to be Free of Defects in Materials and Workmanship for One Year From Invoice Date.

MADE IN USA

WF Harris Lighting

Innovative Lighting Designs Since 1970

P.O. Box 5023, Monroe, NC 28111-5023, USA
(704) 283-7477 • (704) 283-6880(FAX) • (800) 842-9345(TOLL FREE)

www.wfharris.com • e-mail: info@wfharris.com

Printed in USA

Form 1536

09/07