

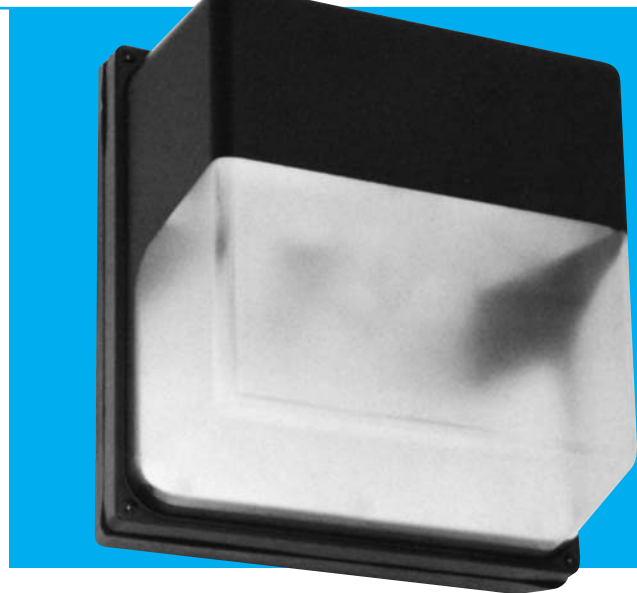
HPS-METAL HALIDE

1200-WP Series 12" Square

*Rustproof Vandal-Resistant Wall Luminaire
High Pressure Sodium 150W Max.
Metal Halide 150W Max.*



The lens, lamp orientation, and internal reflector in this wall-pack luminaire are designed to produce optimal light control directly in front of and along building walls. Engineered with materials offering the **highest resistance to rust, corrosion, and impact**. The polycarbonate housing is lightweight for easy installation and is non-conductive for safety during installation and relamping. Smooth exterior lens allows ease of cleaning, clear prismatic interior assures optimum lumen output, rounded corners for increased impact strength. Ideally suited as security or aesthetic lighting for the exterior walls of commercial and industrial buildings, schools, hospitals, public housing, and government installations.



Specifications

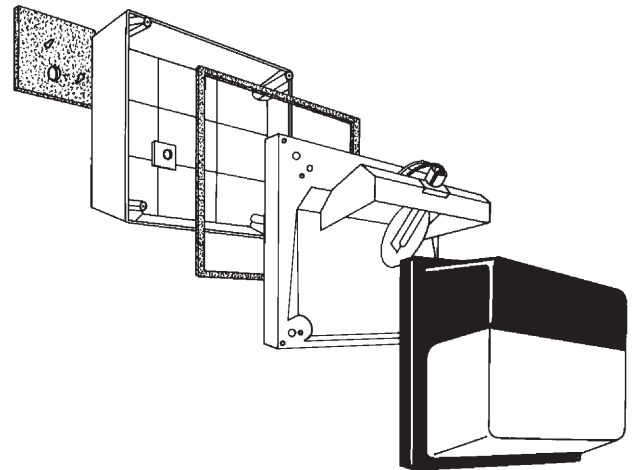
Lens:	One piece, injection molded of UV-stabilized polycarbonate . Average thickness is 1/8". Clear lens has a prismatic interior to soften the lamp image and is masked in bronze or white, high-temperature, weather-resistant polyurethane paint.
Base Plate:	Rustproof .080" 5052 H-32 tempered marine-grade aluminum.
Housing:	Injection molded of UV-stabilized reinforced bronze or white polycarbonate . Rear knockout for supply wire. Available with up to four threaded connections and plugs suitable for 1/2" conduit (specify conduit connections).
Gasket:	Lens gasket and mounting gasket are closed-cell neoprene rubber.
Socket:	Medium-base phenolic. HPS and MH types are 4kV pulse rated. Nickel-plated copper screw shell.
Reflector:	Formed of anodized aluminum with semi-specular finish.
Lamp: (optional)	Medium-base lamp uses HPS, MH.
Ballast:	High Pressure Sodium (HPS) is available in Normal Power Factor (NPF) or High Power Factor (HPF) 120V, 120/277V HPF, or 120/277/347V HPF. Metal Halide (MH) is available in NPF or Power Factor Converted (PFC) 70W 120V only. MH is also available in 277V NPF and HPF as well as multi-tap 120/277V HPF and 120/277/347V HPF.
Hardware:	Four stainless-steel 8-32 phillips truss head screws or tamperproof screws (TORX® type) attach lens to base plate.

UL and CUL Listed For Wet Locations.

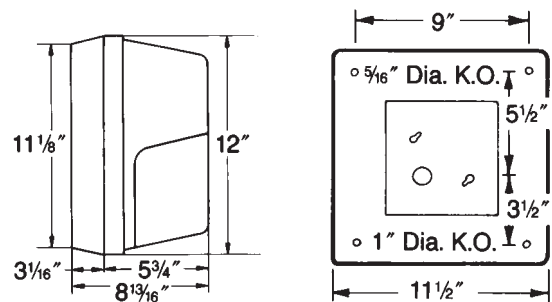
All polycarbonate components meet Underwriters Laboratories 746C tests for polymeric material and carry a flammability rating of 94HB or better on lenses and the superior 94-5V rating on housings.

Luminaire Type _____
 Catalog Number _____
 Job Name _____
 Approval _____

Exploded View



Dimensions



WF Harris Lighting

Innovative Lighting Solutions Since 1970

P.O. Box 5023, Monroe, NC 28111-5023, USA

(704) 283-7477 • (704) 283-6880 (FAX) • (800) 842-9345 (TOLL FREE)

www.wfharris.com • e-mail: info@wfharris.com

"ALive Operator Company Standing Ready to Serve Your Lighting Needs"

HPS - METAL HALIDE

Ordering Information (Fill In Blanks For Complete Catalog Number)

Model	Housing	Watts-Lamp	Power Factor	Volts	Options	Conduit Connections
1200-WP	HZ -Bronze HW -White	50HPS 70HPS 100HPS 150HPS 70MH 100MH 150MH	NPF¹ HPF	120 277² 120/277³ 120/277/347⁴	PC -Photo Control (Specify Voltage) LP -Lamp TPS -Tamperproof Screws OCB -Bronze Aluminum Outside Corner Bracket QRS -Quartz Restrike System for 100Q/DC Lamp QRSLP -Quartz Restrike System With 100Q/DC Lamp FS -Fuse and Holder 12H __-Housing. Please Specify Color Z -Bronze W -White	CRS -Right Side CLS -Left Side CT -Top CB -Bottom C4 -All (Positions Based On Facing Luminaire)

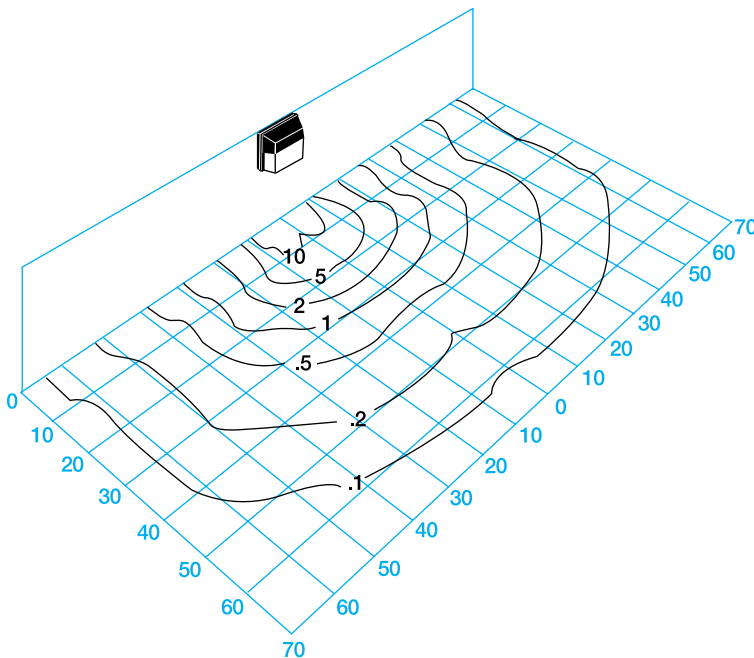
Accessories (Order Separately)
TPT-Tamperproof Screwdriver



¹120V only.
²Available with MH only.
³Dual-Tap for HPS and MH only.
⁴Not available with 50 HPS.

Light Distribution Pattern

Model 1200-WP-150-HPS
Wall Mounted 10' M.H.
Test Report No. 34811



Conversion Tables

Lamp	Lamp Conversion Factor	Mounting Height	Height Conversion Factor
150 HPS	1.00	8'	1.56
100 HPS	.59	10'	1.00
70 HPS	.36	12'	.69
50 HPS	.25	14'	.50
150 MH	.84	15'	.44
100 MH	.53		
70 MH	.35		

Using Conversion Table

TO ADJUST FOOTCANDLES (FC) SHOWN IN DIAGRAM AT LEFT, USE FOLLOWING FORMULA WITH LAMP CONVERSION FACTOR (LCF) AND HEIGHT CONVERSION FACTOR (HCF):

$$\begin{aligned} \text{FC} \times \text{LCF} &= \text{FC with alternate lamp} \\ \text{FC} \times \text{HCF} &= \text{FC at alternate height} \\ \text{FC} \times \text{LCF} \times \text{HCF} &= \text{FC with alternate lamp at alternate height} \end{aligned}$$

LENS, HOUSING, ALUMINUM BASE PLATE CARRY A LIFETIME GUARANTEE.

Specifications Subject to Change Without Notice

Luminaire is Warranted to be Free of Defects in Materials and Workmanship for One Year From Invoice Date.

MADE IN USA

WF Harris Lighting

Innovative Lighting Solutions Since 1970

P.O. Box 5023, Monroe, NC 28111-5023, USA
(704) 283-7477 • (704) 283-6880 (FAX) • (800) 842-9345 (TOLL FREE)
www.wfharris.com • e-mail: info@wfharris.com

Printed in USA
Form 1538
04/05