

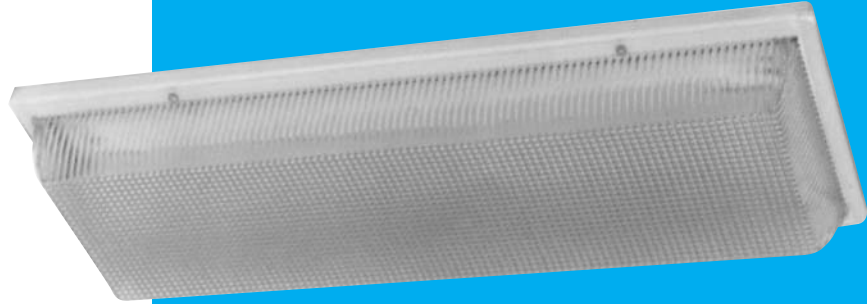
FLUORESCENT

220 Series

Rustproof Vandal-Resistant Ceiling Luminaire
Two 50 Watts Maximum



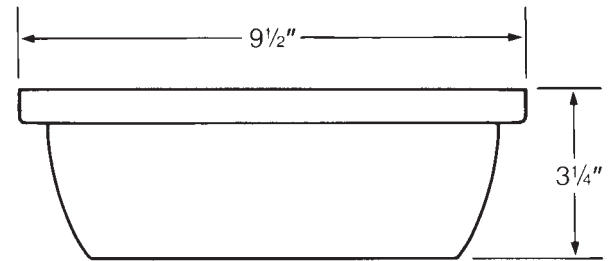
This fluorescent fixture combines optimal light distribution and energy efficiency with impact resistance in an aesthetically attractive design. Options such as an emergency battery system and a PL fluorescent night light eliminate the need for special-purpose lighting. For indoor and covered ceiling outdoor uses, this luminaire is perfect for schools, hospitals, prisons, and public, commercial, and government buildings.



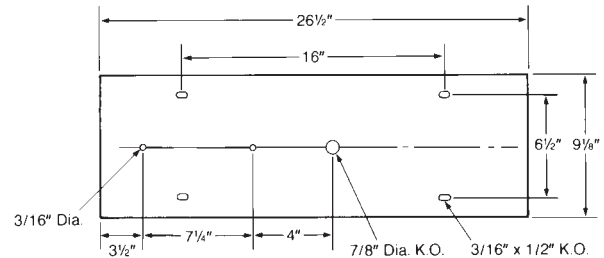
Specifications

Lens:	Pressure formed of UV-stabilized polycarbonate in an average $\frac{1}{8}$ " thickness. Clear lens is enhanced with prisms engineered for maximum light control.
Base Plate:	Die formed of 20-gauge steel with high-reflectance white baked enamel finish applied after forming (Post Painted).
Gasket:	Concealed polyethylene gasket is bonded to lens to create a tight seal against contaminants and moisture.
Wireway:	Tool-less tab attachment facilitates installation and removal of wireway channel.
Ballast:	Rapid-start ballast for long twin tube lamps with 50°F starting temperature (NA in 0°F) or trigger-start ballast with 0°F starting for T12 and T8 lamps. All ballast types are high power factor, thermally-protected Class P for 120 or 277 volts. (20W ballast available in 347V) optional electronic ballasts available.
Lamp: (optional)	Two, F40PLL/F50PLL rapid-start four-pin type, F20T12 pre-heat bi-pin type, or F17T8.
Hardware:	Four stainless-steel philips head or optional Torx® type tamperproof screws with speed nuts are provided for lens attachment.

Dimensions



Base Plate Hole Pattern



UL Listed for Wet Locations. (Covered Ceiling Installations only)

All polycarbonate components meet Underwriters Laboratories 746C tests for polymeric material and carry a flammability rating of 94HB or better on lenses and the superior 94-5V rating on housings.

Luminaire Type _____
 Catalog Number _____
 Job Name _____
 Approval _____

WF Harris Lighting

Innovative Lighting Solutions Since 1970

P.O. Box 5023, Monroe, NC 28111-5023, USA
 (704) 283-7477 • (704) 283-6880 (FAX) • (800) 842-9345 (TOLL FREE)
 www.wfharris.com • email: info@wfharris.com

FLUORESCENT

Ordering Information (Fill In Blanks For Complete Catalog Number)

Model	Lens	Watts-Lamp	Power Factor	Volts	Options
Model	Lens Color	Watts/Lamp	Power Factor	Volts	Options
220	CP-Clear Prismatic	2-40 PLL 2-50 PLL 2-20 FLT12 2-17 FLT8	HPF	120 277 347'	LP-F40PLL, F50PLL, F20T12, or F17T8 (Two required) FS-Fuse and Holder FNL-9W PL Night Light with Lamp AL-Marine Grade Aluminum Base Plate G16-16 Gauge Steel Base Plate TPS-Stainless Steel Torx Type Tamperproof Screws with Speed Nuts

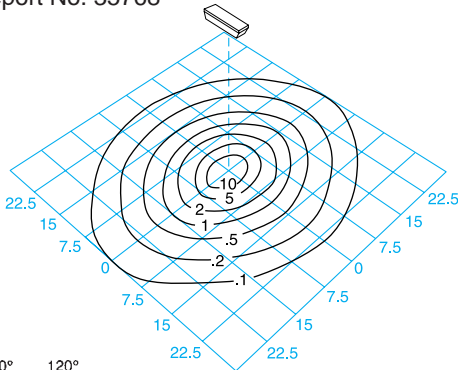
Accessories (Order Separately)
TPT-Tamperproof Screwdriver



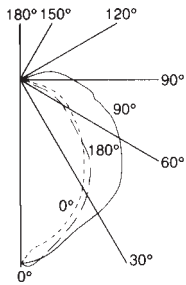
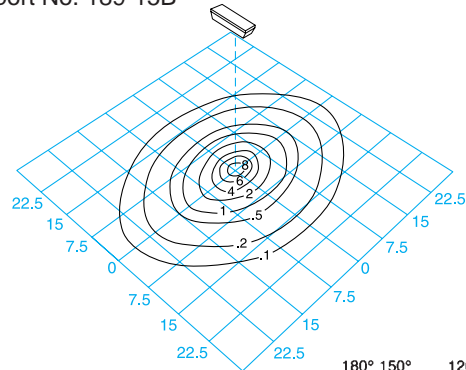
*N/A for 40W

Photometric Data

Model 220-CP-2-40 PLL
Ceiling Mounted 7.5' M.H.
Test Report No. 35768

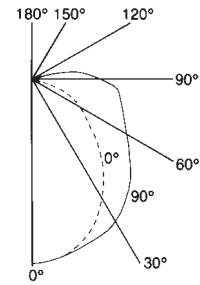


Model 220-CP-2-20 FL
Ceiling Mounted 7.5' M.H.
Test Report No. 189-15B



Using Conversion Table
TO ADJUST FC, USE FOLLOWING
FORMULA WITH HEIGHT CONVERSION FACTOR (HCF):
 $FC \times HCF = FC \text{ at alternate height}$

Mounting Height	Height Conversion Factor
7.5'	1.00
8'	.88
9'	.69
10'	.56
12'	.40



COEFFICIENTS OF UTILIZATION – ZONAL CAVITY METHOD EFFECTIVE FLOOR CAVITY REFLECTANCE 0.20

Model 220-CP-2-40 PLL

RC	80				70				50				30				10				0											
RW	70	50	30	10	70	50	30	10	50	30	10	50	30	10	50	30	10	50	30	10	50	30	10	50	30	10	50	30	10	50	30	10
1	55	52	50	48	53	51	48	48	48	46	43	42	42	41	40	36																
2	50	46	42	39	48	44	41	38	42	39	36	39	37	35	37	35	33	32														
3	46	40	36	32	44	39	35	32	37	33	31	35	32	29	33	30	28	27														
4	42	36	31	28	41	35	31	27	33	29	26	31	28	25	30	27	25	23														
5	39	32	27	24	37	31	27	23	29	26	23	28	25	22	20	24	21	20														
6	36	29	24	21	34	26	23	20	26	23	20	25	22	19	24	21	19	17														
7	33	26	21	18	32	25	21	18	24	20	17	23	19	17	22	19	15	15														
8	30	23	19	16	29	23	18	15	22	18	15	21	17	15	20	17	14	13														
9	28	21	17	14	27	21	16	14	20	16	13	19	15	13	18	15	13	12														
10	26	19	15	12	25	19	15	12	18	14	12	17	14	12	16	13	11	10														

Model 220-CP-2-20 FL

RC	80				70				50				30				10				0											
RW	70	50	30	10	70	50	30	10	50	30	10	50	30	10	50	30	10	50	30	10	50	30	10	50	30	10	50	30	10	50	30	10
1	60	57	54	51	58	55	52	50	51	49	47	48	46	44	45	43	42	40														
2	55	49	45	42	52	48	44	41	45	42	39	42	39	37	39	37	36	34														
3	50	44	39	35	46	43	38	35	40	36	33	38	35	32	35	33	31	29														
4	46	39	34	30	44	38	33	30	36	32	26	34	30	27	32	29	26	25														
5	42	35	30	26	41	34	29	26	32	28	25	30	27	24	29	26	23	22														
6	39	32	27	23	38	31	26	23	29	25	22	26	24	21	26	23	21	19														
7	38	29	24	20	35	26	23	20	27	22	19	25	22	19	24	21	18	17														
8	34	26	21	18	33	26	21	18	24	20	17	23	19	17	22	19	16	15														
9	32	24	19	16	30	23	19	16	22	18	15	21	18	15	20	17	15	14														
10	29	21	17	14	29	21	16	13	20	16	13	19	15	13	18	15	12	10														

Specifications Subject to Change Without Notice

Luminaire is Warranted to be Free of Defects in Materials and Workmanship for One Year From Invoice Date.

MADE IN USA

WF Harris Lighting

Innovative Lighting Solutions Since 1970

P.O. Box 5023, Monroe, NC 28111-5023, USA
(704) 283-7477 • (704) 283-6880 (FAX) • (800) 842-9345 (TOLL FREE)

www.wfharris.com • email: info@wfharris.com

Printed in USA
Form 1540 01/05