

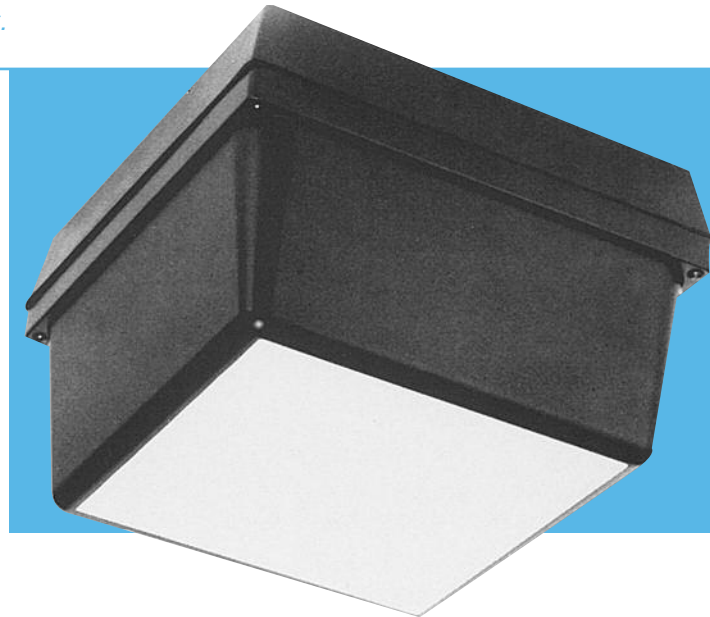
HPS-METAL HALIDE



1200-PS Series

*Rustproof Vandal-Resistant Ceiling Luminaire
High Pressure Sodium 150W Max.
Metal Halide 150W Max.*

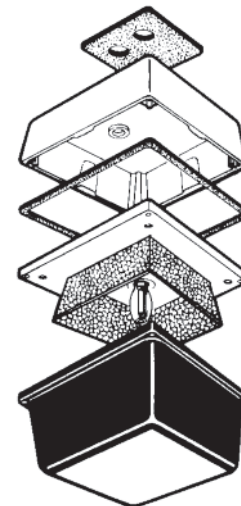
Designed for indoor/outdoor use to provide symmetrical light distribution and eliminate objectionable glare. **Rustproof.** Engineered with materials offering the **highest resistance to rust, corrosion and impact.** Smooth exterior surface for ease of cleaning and rounded corners for added strength and safety. The **polycarbonate** housing is **nonconductive**, insuring more safety to the end user. Ideally suited for schools, motels, apartments, parking areas, commercial establishments, and other applications with low ceiling heights.



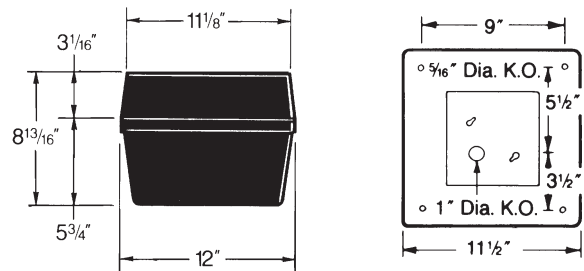
Specifications

Lens:	One piece, injection molded UV-stabilized polycarbonate . Average $\frac{1}{8}$ " thickness. Clear prismatic lens (bottom) softens lamp image. Bronze painted sides enhance appearance and eliminate objectionable glare at low mounting heights. (For White painted sides, consult factory for availability and pricing.)
Base Plate:	Rustproof .080" 5052 H-32 tempered marine-grade aluminum.
Housing:	Injection molded of UV-stabilized reinforced bronze polycarbonate . Rear knockout for supply wire. Available with up to four threaded connections and plugs suitable for $\frac{1}{2}$ " conduit.
Gasket:	Closed-cell neoprene rubber in $\frac{1}{8}$ " thickness creates a tight seal against moisture and contaminants.
Socket:	Medium base phenolic with nickel-plated copper screw shell, 4kV pulse rated.
Reflector:	Formed of anodized aluminum in a hammertone texture projecting 77.7% total reflectivity.
Lamp: (optional)	High-efficiency, medium-base High Pressure Sodium lamp in 50 (ANSI S68), 70 (ANSI S62), 100 (ANSI S54), and 150 (ANSI S55) watts. Medium-base lamp Metal Halide in 70 (ANSI M101), 100 (ANSI M90), and 150 (ANSI M100) watts.
Ballast:	High Pressure Sodium, Normal Power Factor (NPF) or High Power Factor (HPF) for 120V; HPF for 120/277V Dual Voltage. Metal Halide NPF for 50 or 70 watts, 120V or 277V; HPF for 120V, 277V, and 120/277V Dual Voltage or Multi-Tap.
Hardware:	Four stainless steel 8-32 phillips truss head screws or tamperproof screws (TORX® type) attach lens to base plate.

Exploded View



Dimensions



ETL-US and ETL-C Listed For Wet Locations.

All polycarbonate components meet Underwriters Laboratories 746C tests for polymeric material and carry a flammability rating of 94HB or better on lenses and the superior 94-5V rating on housings.

Luminaire Type _____
 Catalog Number _____
 Job Name _____
 Approval _____

WF Harris Lighting

Innovative Lighting Designs Since 1970
 P.O. Box 5023, Monroe, NC 28111-5023, USA
 (704) 283-7477 • (704) 283-6880 (FAX) • (800) 842-9345 (TOLL FREE)
 www.wfharris.com • e-mail: info@wfharris.com

"A Live Operator Company Standing Ready to Serve Your Lighting Needs"

HPS-METAL HALIDE

Ordering Information (Fill In Blanks For Complete Catalog Number)

Model	Watts-Lamp	Power Factor	Volts	Options	Conduit Connections
Model	Watts/Lamp	Power Factor	Volts	Options	Conduit Connections
1200-PS	50-HPS 70-HPS 100-HPS 150-HPS 70-MH 100-MH 150-MH	NPF¹ HPF	120 277 120/277²	PC -Photo Control (Specify Voltage) LP -Lamp TPS -Tamperproof Screws QRS - Quartz Restrike System (must have 120V) QRSLP -Quartz Restrike System With 100Q/DC Lamp (ANSI ESR) ³ (must have 120V) FS -Fuse and Holder	CRS -Right Side CLS -Left Side CT -Top CB -Bottom C4 -All

Note: 150W HPS Not For Use On Insulated Ceilings

Accessories (Order Separately)

TUT-Tamperproof Screwdriver



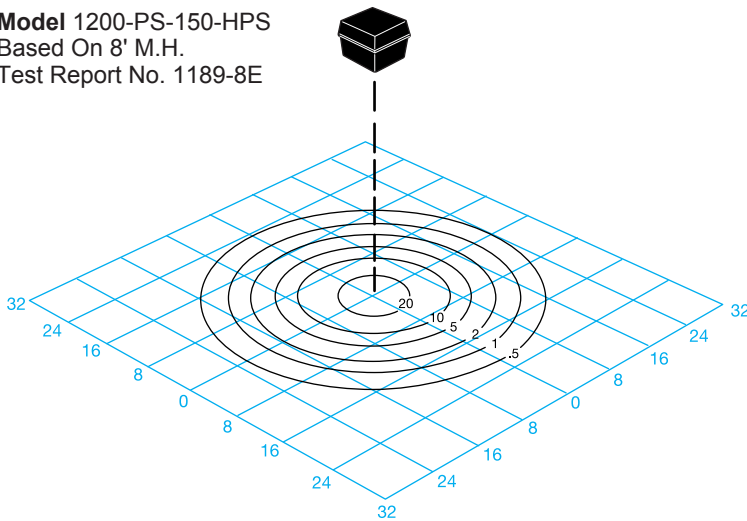
¹N/A with 100W Metal Halide or 18W Low Pressure Sodium

²Dual-tap for HPS and MH.

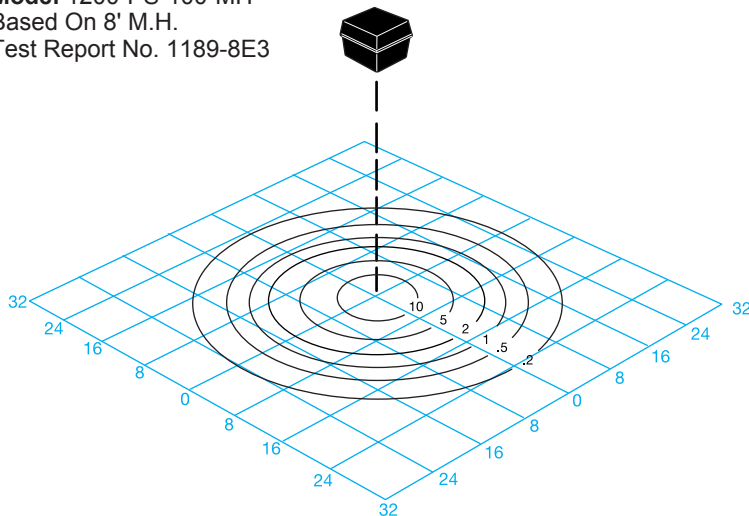
³N/A with dedicated 277 voltage.

Light Distribution Patterns

Model 1200-PS-150-HPS
Based On 8' M.H.
Test Report No. 1189-8E



Model 1200-PS-100-MH
Based On 8' M.H.
Test Report No. 1189-8E3



Conversion Tables

Lamp	Lamp Conversion Factor	Mounting Height	Height Conversion Factor
150 HPS	1.00	8'	1.00
100 HPS	.59	10'	.64
70 HPS	.39	12'	.45
50 HPS	.25	14'	.32
100 MH	1.00	8'	1.00
75 MH	.66	10'	.64

Using Conversion Table

TO ADJUST FC, USE FOLLOWING FORMULA WITH LAMP CONVERSION FACTOR (LCF) AND HEIGHT CONVERSION FACTOR (HCF):

$FC \times LCF = FC$ with alternate lamp

$FC \times HCF = FC$ at alternate height

$FC \times LCF \times HCF = FC$ with alternate lamp at alternate height

Specifications Subject to Change Without Notice

Luminaire is Warranted to be Free of Defects in Materials and Workmanship for One Year From Invoice Date.

MADE IN USA

LENS, HOUSING, AND ALUMINUM BASE PLATE CARRY A LIFETIME GUARANTEE.

WF Harris Lighting

Innovative Lighting Solutions Since 1970

P.O. Box 5023, Monroe, NC 28111-5023, USA

(704) 283-7477 • (704) 283-6880 (FAX) • (800) 842-9345 (TOLL FREE)

www.wfharris.com • e-mail: info@wfharris.com

Printed in USA

Form 1541

8/10