

# HPS-METAL HALIDE



## 300 Series

*Rustproof Vandal-Resistant Wall/Ceiling Luminaire*  
 50 Watts Maximum of Metal Halide  
 70 Watts Maximum of High Pressure Sodium

Designed for indoor/outdoor use where efficiency and style must compete with abuse by environmental elements or vandalism.

**Rustproof.** Engineered with materials offering the **highest resistance to corrosion and impact.** The **polycarbonate** housing is **non-conductive**, insuring more safety to the end user. Ideally suited as security lighting for schools, motels, hospitals, condominiums; and for industrial, commercial, and government buildings. Must be noninsulated ceiling types only.

### Specifications

**Lens:** UV-stabilized injection molded **polycarbonate.** Average thickness is  $\frac{1}{8}$ ". Smooth exterior surface for ease of cleaning. Selections include clear prismatic and single end trim finish in white or bronze.

**Base Plate:** **Rustproof** .080" 5052 H-32 tempered marine-grade aluminum is standard.

**Housing:** Injection molded in black, white, or bronze UV-stabilized, reinforced **polycarbonate.** Rear knockout for supply wire. Available with up to four threaded connections and plugs suitable for  $\frac{1}{2}$ " conduit.

**Gasket:** Closed-cell neoprene rubber in  $\frac{1}{8}$ " thickness creates a tight seal against contaminants and moisture.

**Socket:** Medium-base high heat phenolic with nickel-plated copper screw shell, 4KV pulse rated with leads insulated for 200°C; 660W, 600V.

**Lamp: (optional)** Medium-base lamp; High Pressure Sodium in 35(ANSI S76), 50(ANSI S68), and 70(ANSI S62) watts. Metal Halide in 50 watts (ANSI M110). UV-shielded metal halide lamp standard when lamp ordered to retard lens yellowing.

**Ballast:** High Pressure Sodium reactor type Normal Power Factor (NPF) or High Power Factor (HPF) for 120V. Also available in HPF Dual Voltage. Metal Halide reactor type NPF or HPF dedicated 120V or 277V.

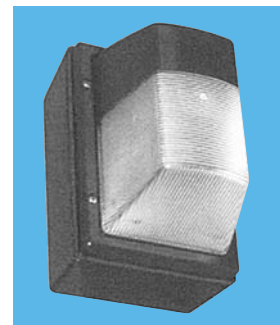
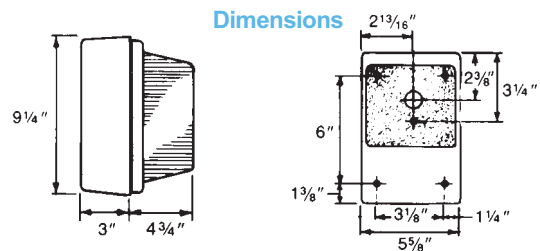
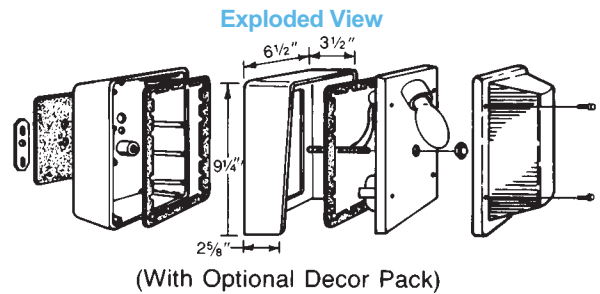
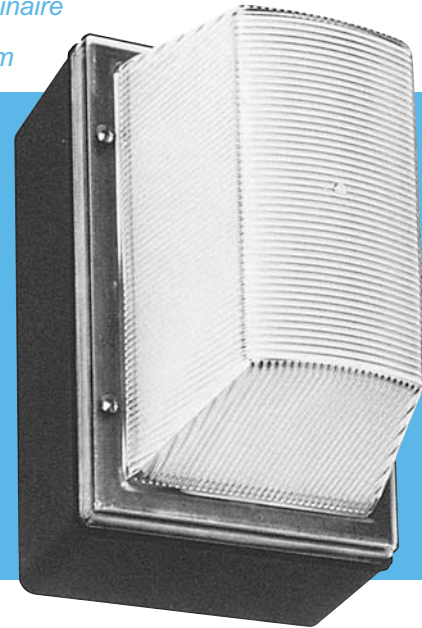
**Hardware:** Four stainless-steel 8-32 phillips truss head screws or tamperproof screws (TORX® type) attach lens to base plate. Mounting hardware included.

**Mounting:** Ceiling. Wall **vertically with lamp base up.** HPS ceiling applications in Canada must be noninsulated ceiling types only.

### UL and C-UL Listed For Wet Locations.

All polycarbonate components meet Underwriters Laboratories 746C tests for polymeric material and carry a flammability rating of 94HB or better on lenses and the superior 94-5V rating on housings.

Luminaire Type \_\_\_\_\_  
 Catalog Number \_\_\_\_\_  
 Job Name \_\_\_\_\_  
 Approval \_\_\_\_\_



Shown With 300-S Lens

**WF Harris Lighting**

Innovative Lighting Designs Since 1970

P.O. Box 5023, Monroe, NC 28111-5023, USA

(704) 283-7477 • (704) 283-6880(FAX) • (800) 842-9345(TOLL FREE)

www.wfharris.com • e-mail: info@wfharris.com

*"A Live Operator Company Standing Ready to Serve Your Lighting Needs"*

# HPS-METAL HALIDE

Ordering Information (Fill In Blanks For Complete Catalog Number)

Model	Lens Color	Housing Color		Watts/Lamp	Power Factor	Volts	Options	Conduit Connection
Model	Lens Color	Housing Color	Watts/Lamp	Power Factor	Volts	Options	Conduit Connections	
300	CP-Clear Prismatic	BK-Black	HK-Black	50 MH <sup>5</sup>	NPF	120	LP-Lamp	CRS- Right Side
300-S <sup>3</sup>		BW-White	HW-White	35 HPS	HPF	277 <sup>6</sup>	PC-Photo Control <sup>1</sup>	CLS- Left Side
300-HZ <sup>4</sup>		BZ-Bronze	HB-Bronze	50 HPS		120/277	TPS-Tamperproof Screws	CT- Top
300-HZ-S <sup>3,4</sup>				70 HPS		120/347 <sup>2</sup>	DPK-Black Polycarbonate Decor Pack	CB- Bottom
							DPW-White Polycarbonate Decor Pack	C4- All Four Sides
							DPB-Bronze Polycarbonate Decor Pack	
							FS-Fuse and Holder	
							SR-Round Photo Control Shield	
							SRH-Half-Round Photo Control Shield	
							GCO-HD-Heavy Duty Grounded Convenience Outlet <sup>7</sup>	

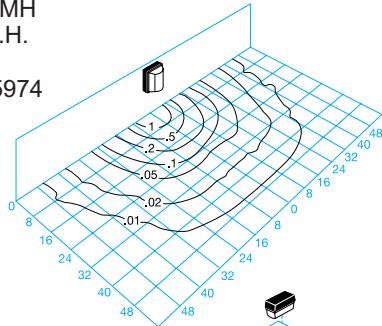
Accessories (Order Separately)  
TPT-Tamperproof Screwdriver



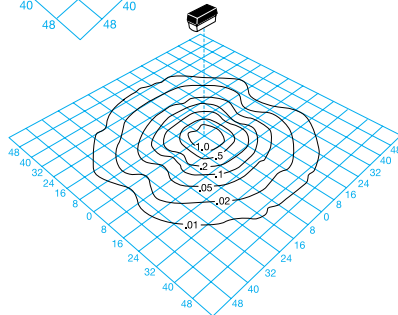
- <sup>1</sup> Specify Voltage
- <sup>2</sup> Available in 70 HPS Only
- <sup>3</sup> Specify Painted Lens Color: BK (Black), WH (White), BZ (Bronze)
- <sup>4</sup> Available in 35 HPS Only
- <sup>5</sup> Dedicated 120V or 277V
- <sup>6</sup> 50 Watt Metal Halide Only
- <sup>7</sup> Dry Location Only

## Light Distribution Patterns

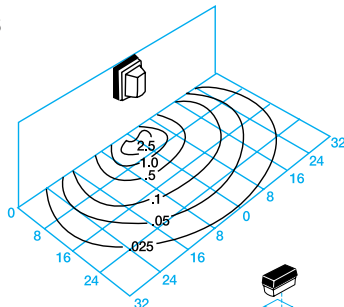
**Model 300-CP-50 MH**  
Wall Mounted 8' M.H.  
Produced From  
Test Report No. 25974



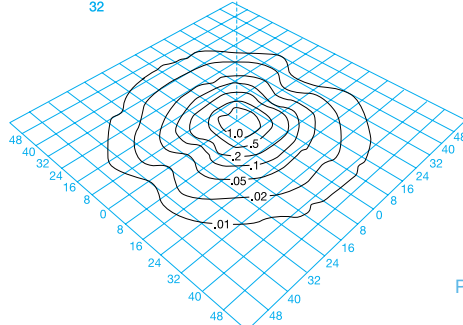
**Model 300-CP-50 MH**  
Ceiling Mounted 8' M.H.  
Produced From  
Test Report No. 25981



**Model 300-CP-70 HPS**  
Based On 8' M.H.  
Test Report No. 25975



**Model 300-CP-70 HPS**  
Based On 8' M.H.  
Test Report No. 25982



## Conversion Tables

Lamp	Lamp Conversion Factor (LCF)	Mounting Height	Height Conversion Factor (HCF)
50 MH	2.52	8'	1.00
70 HPS	1.00	9'	.79
50 HPS	.63	10'	.64
35 HPS	.36	11'	.53
		12'	.45

### Using Conversion Tables

TO ADJUST FOOTCANDLES (FC) SHOWN IN DIAGRAMS AT LEFT, USE ONE OF THE FOLLOWING FORMULAS WITH LAMP CONVERSION FACTOR (LCF) AND HEIGHT CONVERSION FACTOR (HCF):

- FC x LCF = FC with alternate lamp
- FC x HCF = FC at alternate height
- FC x LCF x HCF = FC with alternate lamp at alternate height

Specifications Subject to Change Without Notice

Luminaire is Warranted to be Free of Defects in Materials and Workmanship for One Year From Invoice Date.

**LENS, HOUSING, AND ALUMINUM BASE PLATE CARRY A LIFETIME GUARANTEE.**

MADE IN USA

**WF Harris Lighting**

Innovative Lighting Designs Since 1970

P.O. Box 5023, Monroe, NC 28111-5023, USA  
(704) 283-7477 • (704) 283-6880(FAX) • (800)842-9345 (TOLL FREE)  
www.wfharris.com • email: info@wfharris.com

Printed in USA

Form 1547  
07/06