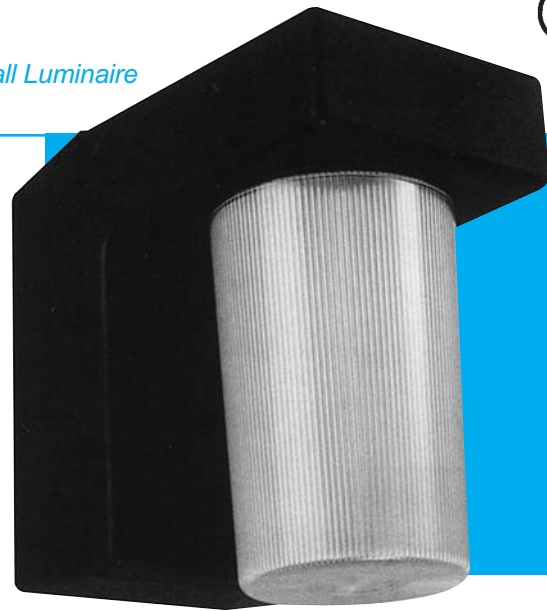


HPS-METAL HALIDE



1000 Series *Rustproof Vandal-Resistant Wall Luminaire* 70 Watts Maximum

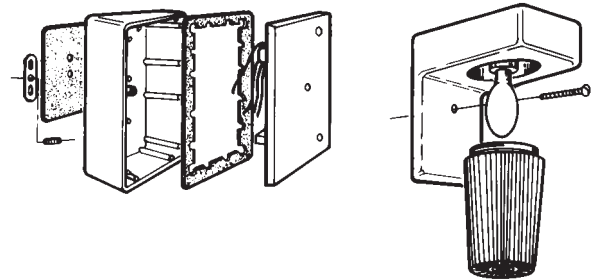
This wall bracket luminaire is as durable as it is attractive. Suitable for indoor/outdoor applications ranging from residential to commercial environments. Engineered with components and materials offering the **highest resistance to rust, corrosion, and impact**. The housing is totally nonconductive, insuring greater safety to the end user. Ideally suited as security lighting for schools, motels, hospitals, condominiums; and industrial, commercial, and government buildings.



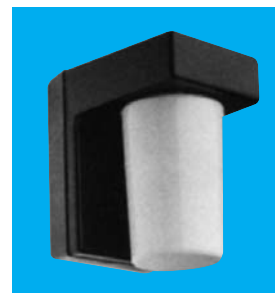
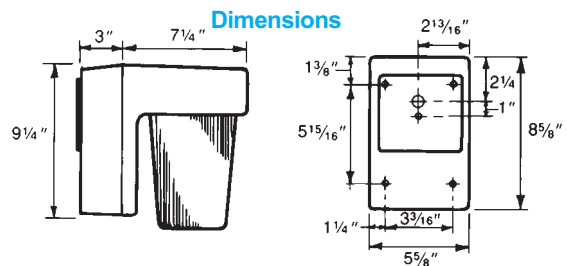
Specifications

- Lens:** Injection molded of UV-stabilized polycarbonate with threaded neck for screw-in attachment. Average thickness is $\frac{1}{8}$ ". Smooth exterior surface for ease of cleaning.
- Base Plate:** Rustproof .080" 5052 H-32 tempered marine-grade aluminum.
- Housing:** Injection molded in black, white or bronze UV-stabilized, reinforced polycarbonate. Rear knockout for supply wire. Available with up to four threaded connections and plugs suitable for $\frac{1}{2}$ " conduit.
- Gasket:** Closed-cell neoprene rubber in $\frac{1}{8}$ " thickness creates a tight seal against moisture and contaminants.
- Socket:** Medium-base high heat phenolic with nickel-plated copper screw shell, 4kV pulse rated.
- Lamp:** Medium-base lamp; High Pressure Sodium lamp in 35 (ANSI S76), 50 (ANSI S68), and 70 (ANSI S62) watts. Metal Halide in 50 (ANSI M110) watts.
- Ballast:** High Pressure Sodium and Metal Halide-Normal Power Factor or High Power Factor for 120V or 277V and 120/277V Dual Voltage.
- Hardware:** Optional Lens-Lock screws are 1/4-20 socket set screws. Mounting hardware included.
- Mounting:** Wall mounting only.

Exploded View



Dimensions



Shown With
Opal White Lens



Shown With
White Housing

UL, C-UL Listed For Wet Locations.

All polycarbonate components meet Underwriters Laboratories 746C tests for polymeric material and carry a flammability rating of 94HB or better on lenses and the superior 94-5V rating on housings.

Luminaire Type _____
 Catalog Number _____
 Job Name _____
 Approval _____

WF Harris Lighting

Innovative Lighting Designs Since 1970

P.O. Box 5023, Monroe, NC 28111-5023, USA
 (704) 283-7477 • (704) 283-6880(FAX) • (800) 842-9345(TOLL FREE)
 www.wfharris.com • e-mail: info@wfharris.com

"A Live Operator Company Standing Ready to Serve Your Lighting Needs"

HPS-METAL HALIDE

Ordering Information (Fill In Blanks For Complete Catalog Number)

Model	Lens	Housing Color	Watts-Lamp	Power Factor	Volts	Options	
Model	Lens Color	Housing Color	Watts/Lamp	Power Factor	Volts	Options	Conduit Connections
1000	CP-Clear Prismatic OW-Opal White (Clear Prismatic only for MH)	HK-Black HW-White HB-Bronze	50 MH ⁴ 35 HPS 50 HPS 70 HPS	NPF HPF	120 277 120/277 ^{1,5} 120/347 ^{3,5} 120/277/347	PC-Photo Control ² LP-Lamp LL-Lens Lock FS-Fuse and Holder	CRS-Right Side CLS-Left Side CT-Top CB-Bottom C4-All (Positions Based on Facing Fixture)

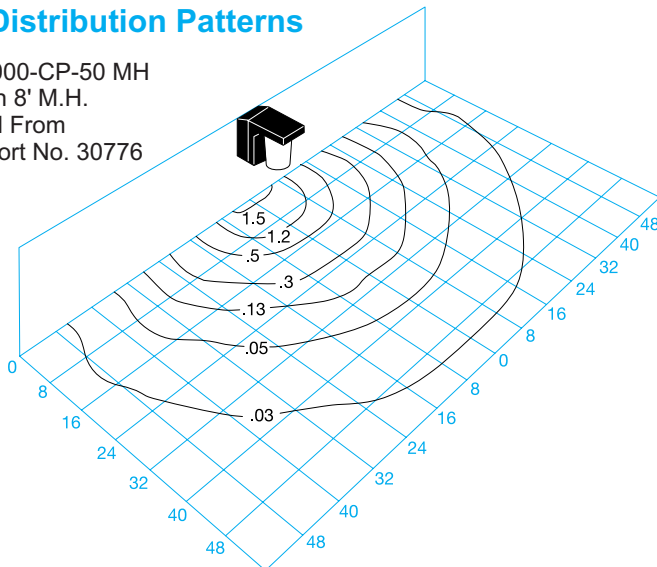
- ¹ Available for High Pressure Sodium only
- ² Specify voltage
- ³ Available in 70 HPS only
- ⁴ To deter premature lens yellowing, recommend UV shielded lamp
- ⁵ HPF only

Lamp Performance

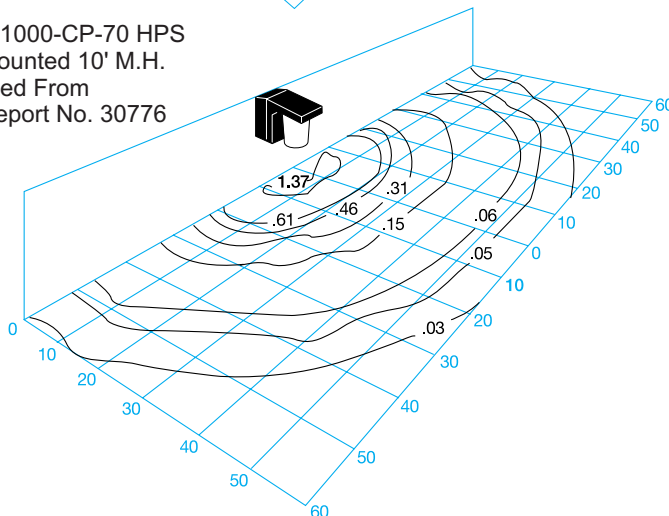
	50 Watt MH	35 Watt HPS	50 Watt HPS	70 Watt HPS
Input Watts	69W	45W	66W	91W
Lumen Output	4,000	2,250	4,000	6,300
Lamp Life (Hours)	10,000	24,000	24,000	24,000
Min. Starting Temperature	-20°F/-30°C	-40°F/-40°C	-40°F/-40°C	-40°F/-40°C

Light Distribution Patterns

Model 1000-CP-50 MH
Based On 8' M.H.
Produced From
Test Report No. 30776



Model 1000-CP-70 HPS
Wall Mounted 10' M.H.
Produced From
Test Report No. 30776



Conversion Tables

Lamp	Lamp Conversion Factor	Mounting Height	Height Conversion Factor
50 MH	.64	6'	1.77
70 HPS	1.00	7'	1.38
50 HPS	.63	8'	1.00
35 HPS	.36	9'	.79
		10'	.64
		11'	.53
		12'	.45
		13'	.39
		14'	.32

Using Conversion Table

TO ADJUST FOOTCANDLES (FC), SHOWN IN DIAGRAMS AT LEFT, USE FOLLOWING FORMULA WITH LAMP CONVERSION FACTOR (LCF) AND HEIGHT CONVERSION FACTOR (HCF):

$$FC \times LCF = FC \text{ with alternate lamp}$$

$$FC \times HCF = FC \text{ at alternate height}$$

$$FC \times LCF \times HCF = FC \text{ with alternate lamp at alternate height}$$

Specifications Subject to Change Without Notice

Luminaire is Warranted to be Free of Defects in Materials and Workmanship for One Year From Invoice Date.

LENS, HOUSING, AND ALUMINUM BASE PLATE CARRY A LIFETIME GUARANTEE.

MADE IN USA 

WF Harris Lighting

Innovative Lighting Designs Since 1970

P.O. Box 5023, Monroe, NC 28111-5023, USA
(704) 283-7477 • (704) 283-6880(FAX) • (800) 842-9345(TOLL FREE)
www.wfharris.com • e-mail: info@wfharris.com

Printed in USA
Form 1548 01/02