

FLUORESCENT

30 Emergency Series

Rustproof Vandal-Resistant Wall/Ceiling Luminaire
14 Watts Maximum



The 30 Emergency Series is designed for use where a stylish, vandal-resistant luminaire is required to operate efficiently during normal operation and/or to provide a reliable back-up power source during power failure. Includes a maintenance-free battery with test switch and charging indicator light. Engineered with components and materials offering the **highest resistance to rust, corrosion, and impact**. A variety of lens styles in decorator colors, and a choice of horizontal or vertical mountings make this luminaire extremely versatile. Ideally suited as security lighting for schools, motels, hospitals, condominiums; and industrial, commercial and government buildings.

Specifications

Lens:	Injection molded with prismatic interior of UV-stabilized polycarbonate in an average 1/8" thickness. Selections include clear prismatic or opal white, and stylish single-end or double-end trim finish in Black, White, or Bronze.
Base Plate:	Rustproof .063" 5052 H-32 tempered marine-grade aluminum.
Housing:	Injection molded UV-stabilized reinforced polycarbonate in lens-coordinated colors. Includes three knockouts suitable for 1/2" conduit (left side, right side, rear only).
Gasket:	Closed-cell neoprene rubber in 1/8" thickness creates a tight seal against contaminants.
Socket:	Two-pin type with leads insulated for 105°C.
Lamp:	High efficiency PL lamp(s) offer up to ten times longer life and 70% energy savings over incandescent lamps.
Reflector:	(Provided on Models 30-S and 30-D only) Injection molded of glossy white UV-stabilized polycarbonate. Produces optimum lumen output and light distribution.
Ballast:	Class P, self-start preheat type in Normal Power Factor for 120 Volts. 9 watt luminaire available with NPF 277V.
Battery:	Nickel cadmium battery is maintenance free with a life expectancy of 7-10 years and a 90-minute emergency operating time. Exterior indicator light reveals that battery is charging during normal operation of luminaire. During power interruption, one lamp will switch to battery operation. When A.C. power is restored, the lamps are switched back to the ballast and the battery is recharged within 24 hours. Note: One lamp can be wired to operate only during power interruption (see options).
Hardware:	Two stainless-steel 8-32 phillips screws or tamperproof screws (TORX® type) attach lens to base plate. Bronze colored slotted screws are provided with Bronze finished lenses. Mounting hardware included.

U.L. Listed.

All polycarbonate components meet Underwriters Laboratories 746C tests for polymeric material and carry a flammability rating of 94HB or better on lenses and the superior 94-5V rating on housings.

Luminaire Type _____
Catalog Number _____
Job Name _____
Approval _____



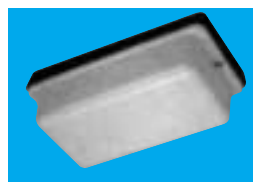
30-S-EMERGENCY-OW-WH



30-EMERGENCY-OW
with optional Graphics



30-S-EMERGENCY-OW-BZ



30-EMERGENCY-OW-BZ



30-D-EMERGENCY-CP-BZ

WF Harris Lighting


Innovative Lighting Designs Since 1970

P.O. Box 5023, Monroe, NC 28111-5023, USA (704) 283-7477
www.wfharris.com • (704) 283-6880 (fax) • email: info@wfharris.com

FLUORESCENT

Ordering Information (Fill In Blanks For Complete Catalog Number)

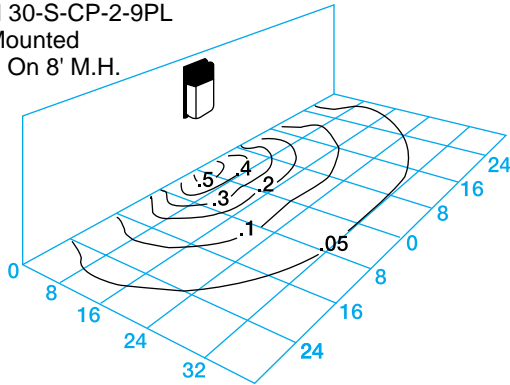
Model	Lens Color	Housing Color	Watts/Lamp	Power Factor	Volts	Options
Model	Lens Color	Housing Color	Watts/Lamp	Power Factor	Volts	Options
30 30-S 30-D 30-NL ¹	CP-Clear Prismatic OW-Opal White	BK-Black WH-White BZ-Bronze	9 PL 13 PL 2-7 PL	NPF	120 277 ²	TPS-Tamperproof Screws FS-Fuse and Holder EM-(1 or 2 lamp luminaire) - All lamps operate during normal conditions, one lamp operates during emergency EMO (1 lamp luminaire) - One (1) lamp only operates during emergency EMO1 (2 lamp luminaire) - One (1) lamp operates during normal conditions, one (1) lamp operates during emergency

Accessories (Order Separately)
TPT-Tamperproof Screwdriver 

¹Specify up to four numbers or letters.
²9 PL luminaire only.

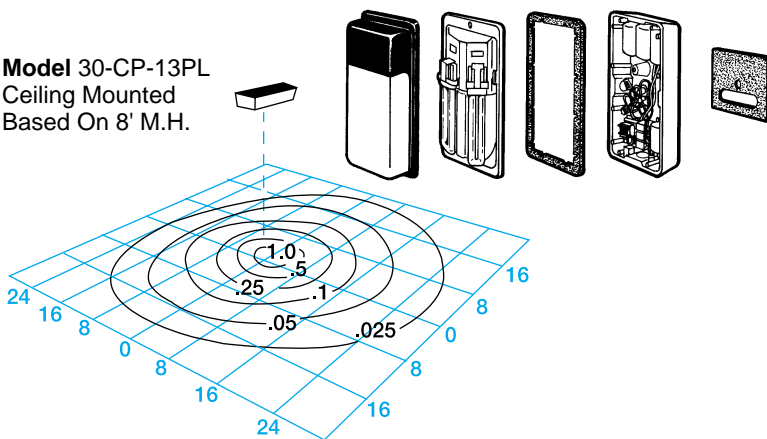
Light Distribution Patterns

Model 30-S-CP-2-9PL
Wall Mounted
Based On 8' M.H.



Model 30-CP-13PL
Ceiling Mounted
Based On 8' M.H.

Exploded View



Fluorescent Lamp Performance

	9 Watt Twin Tube	13 Watt Twin Tube	(2) 7 Watt Twin Tube
Input Watts	13W	17W	22W
Lumen Output	600	900	800
EM Lumen Output	475	625	300 (600)
Lamp Life (Hours)	10,000	10,000	10,000
Min. Starting Temperature	25°F	32°F	0°F

Specifications Subject to Change Without Notice
Luminaire is Warranted to be Free of Defects in Materials and Workmanship for One Year From Invoice Date.

**LENS, HOUSING, AND ALUMINUM BASE
PLATE CARRY A LIFETIME GUARANTEE.**

MADE IN  3A

Conversion Table

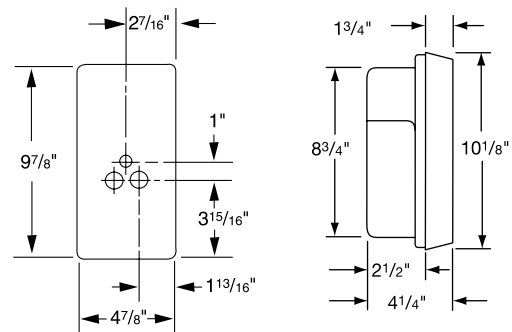
Lamp	Lamp Conversion Factor (LCF)		Mounting Height	Height Conversion Factor (HCF)
	Wall Mount	Ceiling Mount		
2-9 PL	1.00	1.33	6'	1.77
13 PL	.75	1.00	7'	1.30
2-7 PL	.67	.89	8'	1.00
9 PL	.50	.67	9'	.79
7 PL	.33	.44	10'	.64

Using Conversion Table

TO ADJUST FOOTCANDLES (FC) SHOWN IN DIAGRAMS AT LEFT, USE ONE OF THE FOLLOWING FORMULAS WITH LAMP CONVERSION FACTOR (LCF) AND HEIGHT CONVERSION FACTOR (HCF):

$$\begin{aligned} \text{FC} \times \text{LCF} &= \text{FC with alternate lamp} \\ \text{FC} \times \text{HCF} &= \text{FC at alternate height} \\ \text{FC} \times \text{LCF} \times \text{HCF} &= \text{FC with alternate lamp at alternate height} \end{aligned}$$

Dimensions



WF Harris Lighting

Innovative Lighting Designs Since 1970

P.O. Box 5023, Monroe, NC 28111-5023, USA (704) 283-7477
www.wfharris.com • (704) 283-6880 (fax) • email: info@wfharris.com

Printed in USA
Form 1551 1/01