

FLUORESCENT

1000 Series *Rustproof Vandal-Resistant Wall Luminaire*
57 Watts Maximum



This wall bracket luminaire is as durable as it is attractive. Suitable for indoor/outdoor applications ranging from residential to commercial environments. Engineered with components and materials offering superb energy efficiency and the **highest resistance to rust, corrosion and impact**. The housing is totally non-conductive, insuring more safety to the end user. Ideally suited as security lighting for homes, schools, motels, hospitals, condominiums, and industrial, commercial, and government buildings.

Specifications

Lens: Injection molded of UV-stabilized **polycarbonate** with threaded neck for twist-lock attachment. Average thickness is 1/8". Smooth exterior surface for ease of cleaning. Clear Prismatic, Opal White, and Buglight Yellow are stock colors. Other colors available upon request.

Base Plate: **Rustproof** .080" 5052 H-32 tempered marine-grade aluminum.

Wall Bracket: Injection molded in black, white, or bronze UV-stabilized, reinforced **polycarbonate**. Included.

Housing: Injection molded in black, white, or bronze UV-stabilized, reinforced **polycarbonate**. Rear knockout for supply wire. Available with up to four 1/2" threaded conduit connections and plugs.

Gasket: Closed cell neoprene rubber in 1/8" thickness creates a tight seal against moisture and contaminants.

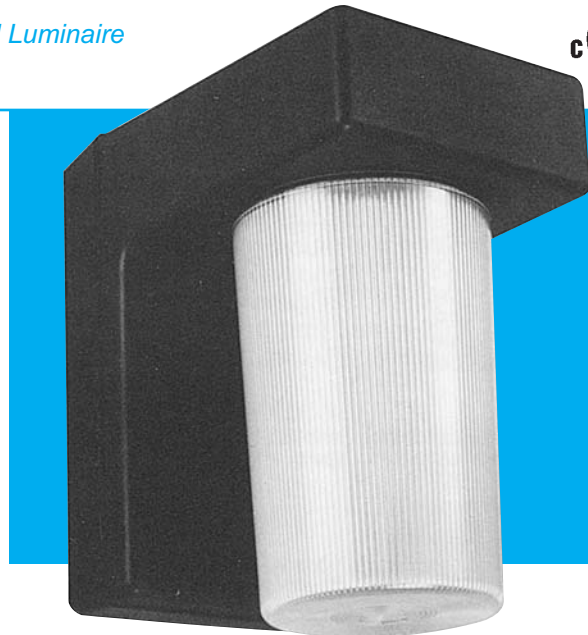
Socket: Two-pin or four-pin type with leads insulated for 105°C.

Lamp: High-efficiency PL lamps offer up to ten times longer life and 70% energy savings over comparable incandescent lamps.

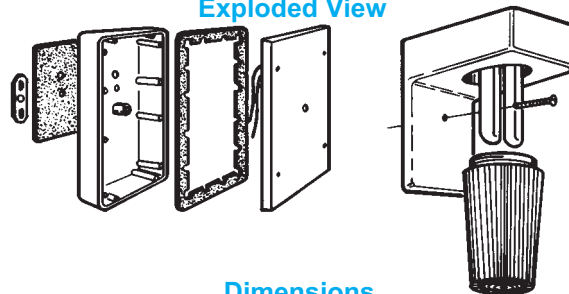
Ballast: Self-start preheat type in Normal Power Factor or High Power Factor for 120V or 277V. Optional Cold Weather (0°F) Ballast, and Class P Ballast for indoor use. PLT available in Electronic.

Hardware: Mounting hardware included.

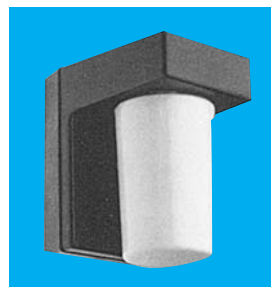
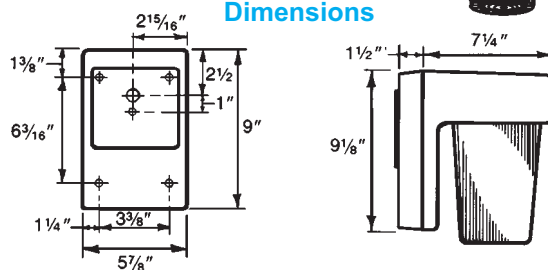
Mounting: Wall mounting only.



Exploded View



Dimensions



Shown With Opal White Lens



Shown With White Housing

UL and C-UL Listed for Wet Locations
Certified for Indoor Use with Class P Ballast option.

All polycarbonate components meet Underwriters Laboratories 746C tests for polymeric material and carry a flammability rating of 94HB or better on lenses and the superior 94-5V rating on housings.

Luminaire Type _____
Catalog Number _____
Job Name _____
Approval _____

WF Harris Lighting

Innovative Lighting Designs Since 1970

P.O. Box 5023, Monroe, NC 28111-5023, USA

(704) 283-7477 • (704) 283-6880 (FAX) • (800) 842-9345 (TOLL FREE)

www.wfharris.com • email: info@wfharris.com

"A Live Operator Company Standing Ready to Serve Your Lighting Needs"

FLUORESCENT

Ordering Information (Fill In Blanks For Complete Catalog Number)

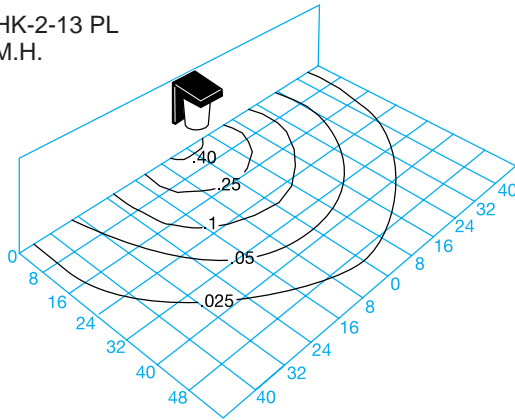
Model	Lens Color	Housing Color	Watts/Lamp	Power Factor	Volts	Options
Model	Lens Color	Housing Color	Watts/Lamp	Power Factor	Volts	Options
1000	CP -Clear Prismatic OW -Opal White BY -Buglight Yellow R -Red B -Blue G -Green	HK -Black HB -Bronze HW -White	13 PL 2-7 PL 2-9 PL 2-13 PL 26 PLC 18 PLT ¹ 26 PLT ¹ 32 PLT ¹ 42 PLT ¹	NPF HPF	120 277 120-277*	PC -Photo Control (Specify Voltage) LL -Lens Lock (Two 1/4-20 S/S Set Screws Provided) GCO -Grounded Convenience Outlet ² SW -On/Off Switch ² FS -Fuse and Holder CW -0°F Ballast For One PL Lamp CW2 -0°F Ballasts For Two PL Lamps P -Class P Ballast for Indoor Use ³ P2 -Two Class P Ballasts for Indoor Use ³ CRS -Conduit Connection on Right Side ⁴ CLS -Conduit Connection on Left Side ⁴ CT -Conduit Connection on Top ⁴ CB -Conduit Connection on Bottom ⁴ C4 -Conduit Connection on all Four Sides ⁴

Note: All PL Ballasts are available with P Rating. Please specify P Rating.

*Electronic - All Electronic Ballasts are Class P Rated 50/60 Hz 120 thru 277
¹HPF Only
²Interior Use Only
³For Inside Use, All Luminaires Must Be Thermally Protected
⁴Positions Based on Facing Luminaire

Light Distribution Patterns

Model 1000-CP-HK-2-13 PL
Wall Mounted 8' M.H.



Conversion Table

Lamp	Lamp Conversion Factor (LCF)	Mounting Height	Height Conversion Factor (HCF)
13 PL	.50	6'	1.77
2-7 PL	.44	8'	1.00
2-9 PL	.67	10'	.64
2-13 PL	1.00	12'	.45
18 PLT	.75	14'	.32
26 PLT	1.125		
32 PLT	1.5		
42 PLT	1.5		

Using Conversion Table

TO ADJUST FOOTCANDLES (FC) SHOWN IN DIAGRAMS AT LEFT, USE ONE OF THE FOLLOWING FORMULAS WITH LAMP CONVERSION FACTOR (LCF) AND HEIGHT CONVERSION FACTOR (HCF):

- FC x LCF = FC with alternate lamp
- FC x HCF = FC at alternate height
- FC x LCF x HCF = FC with alternate lamp at alternate height

Fluorescent Lamp Performance

	13 Watt Twin	2-9 Watt Twin	2-13 Watt Twin	26 Watt PLC	18 Watt PLT	26 Watt PLT	32 Watt PLT	42 Watt PLT
Input Watts	17W	26W	34W	26W	18W	26W	32W	42W
Initial Lumen Output	900	1,200	1,800	1,550	1,200	1,800	2,400	3,200
Lamp Life (Hours)	10,000	10,000	10,000	10,000	10,000	10,000	10,000	10,000
Min. Starting Temp.	32°F	25°F	32°F	0°F	0°F	0°F	0°F	0°F

Specifications Subject to Change Without Notice

Luminaire is Warranted to be Free of Defects in Materials and Workmanship for One Year From Invoice Date.

LENS, HOUSING, AND ALUMINUM BASE PLATE CARRY A LIFETIME GUARANTEE.

MADE IN USA

WF Harris Lighting

Innovative Lighting Designs Since 1970

P.O. Box 5023, Monroe, NC 28111-5023, USA
 (704) 283-7477 • (704) 283-6880 (FAX) • (800)842-9345 (TOLL FREE)
 www.wfharris.com • email: info@wfharris.com

Printed in USA
Form 1554 9/07