

FLUORESCENT

1200-WP PLT Series 12" Square

Rustproof Vandal-Resistant Wall Luminaire
84 Watts Maximum - Electronic
Lamp and Ballast System



The lens, lamp orientation, and internal reflector in this wall-pack luminaire are designed to produce optimal light directly in front of and along building walls. Engineered with materials offering the **highest resistance to rust, corrosion, and impact**. The **polycarbonate** housing is lightweight for easy installation and is non-conductive for safety during installation and relamping. Smooth exterior lens allows ease of cleaning, clear prismatic interior assures optimum lumen output, rounded corners for increased impact strength and safety. Ideally suited as security or aesthetic lighting for the interior/exterior walls of commercial and industrial buildings, schools, hospitals, public housing, and government installations. **The PLT lamp is four pin and 0°F (-18°C) minimum starting temperature.**

Specifications

Lens:	One piece, prismatic, injection molded of UV-stabilized polycarbonate . Average thickness is 1/8". Smooth exterior surface for ease of cleaning, rounded corners for increased impact strength and safety. Masked in bronze or white, high-temperature, weather-resistant polyurethane paint.
Base Plate:	Rustproof .080" 5052 H-32 tempered marine-grade aluminum.
Housing:	Injection molded of UV-stabilized reinforced bronze or white polycarbonate . Rear knockout for supply wire. Available with up to four threaded connections and plugs suitable for 1/2" conduit. (specify connection positions).
Gasket:	Lens gasket and mounting gasket are closed-cell neoprene rubber.
Socket:	Two provided. Four pin. 75W, 600V for GX24Q base.
Reflector:	Highly reflective anodized aluminum finish.
Lamp: (optional)	PLT four pin Electronic. 0°F (-18°C) starting.
Ballast:	Electronic P rated, High Power Factor. 120V through 277V, or 347V, 50 or 60 Hz. 0°F (-18°C) starting temperature.
Hardware:	Four stainless-steel 8-32 phillips screws or tamperproof screws (TORX® type) attach lens to base plate.

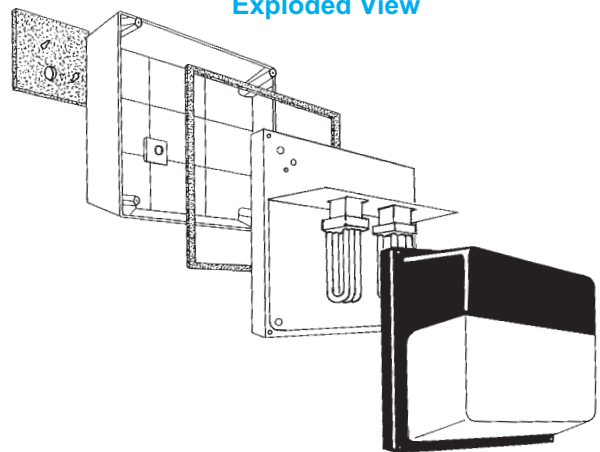
**UL Listed For Wet Locations and Emergency.
C-UL Certified For Fluorescent Use.**

All polycarbonate components meet Underwriters Laboratories 746C tests for polymeric material and carry a flammability rating of 94HB or better on lenses and the superior 94-5V rating on housings.

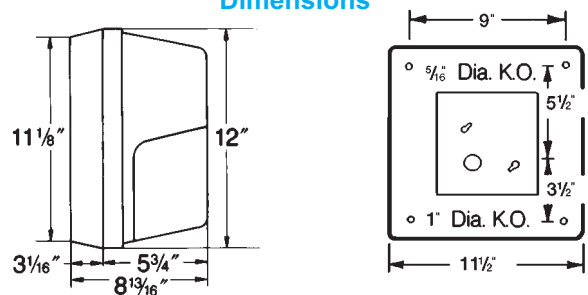
Luminaire Type _____
Catalog Number _____
Job Name _____
Approval _____



Exploded View



Dimensions



WF Harris Lighting


Innovative Lighting Solutions Since 1970
P.O. Box 5023, Monroe, NC 28111-5023, USA
(704) 283-7477 • (704) 283-6880 (FAX) • (800) 842-9345 (TOLL FREE)
www.wfharris.com • email: info@wfharris.com

"A Live Operator Company Standing Ready to Serve Your Lighting Needs"

FLUORESCENT

Ordering Information (Fill In Blanks For Complete Catalog Number)

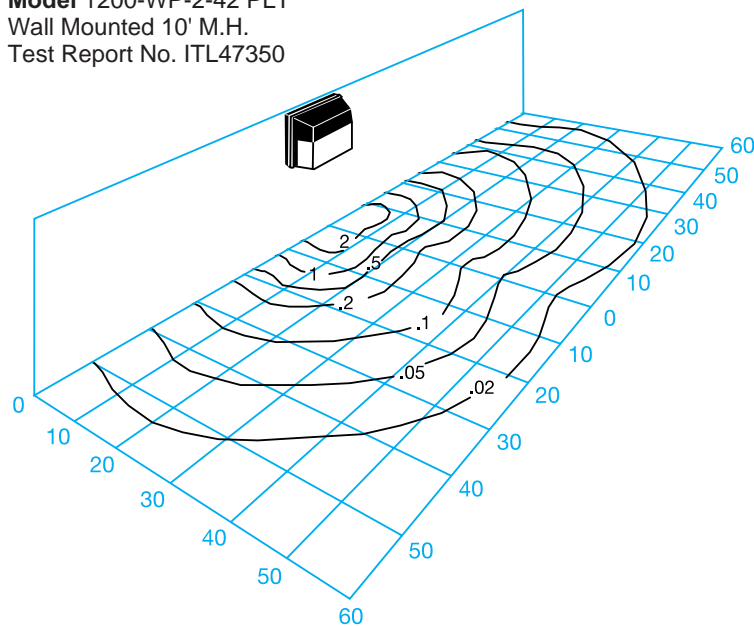
Model	Housing	Watts-Lamp	Power Factor	Volts	Options	Conduit Connections
Model	Housing	Watts/Lamp	Power Factor	Volts	Options	Conduit Connections (12H Required)
1200-WP	HB-Bronze HW-White	2-18 PLT 2-26 PLT 2-32 PLT ⁴ 2-42 PLT ^{2,3} 2-26 PLC	HPF	120-277 347	LP -Lamp PC -Photo Control (12H Required) 12H __-Housing. Please Specify Color GCO -Grounded Convenience Outlet (12H Required) ¹ TPS -Tamperproof Screws FS -Fuse and Holder EM -(2 Lamps) Two Lamps Operate Full Time; One Lamp Operates During Emergency EM2 -(2 Lamps) Two Lamps Operate Full Time; Two Lamps Operate During Emergency ⁴ EM01 -(2 Lamps) One Lamp Operates Full Time; One Lamp Operates During Emergency EM02 -(2 Lamps) Two Lamps Operate Only During Emergency W -For Wet Location Emergency (EM) Unit Only	CRS -Right Side CLS -Left Side CT -Top CB -Bottom CR -All (Positions Based on Facing Luminaire)

Accessories (Order Separately)
 Tamperproof Screwdriver 

¹ Dry locations only
² 12H Housing Included
³ N/A in EM2
⁴ 12H Housing Required

Light Distribution Patterns

Model 1200-WP-2-42 PLT
 Wall Mounted 10' M.H.
 Test Report No. ITL47350



Specifications Subject to Change Without Notice

Luminaire is Warranted to be Free of Defects in Materials and Workmanship for One Year From Invoice Date.

LENS, HOUSING, AND ALUMINUM BASE PLATE CARRY A LIFETIME GUARANTEE.

MADE IN  USA

Conversion Tables

Lamp	Lamp Conversion Factor	Mounting Height	Height Conversion Factor
2-26 PLC	.57	8'	1.56
2-42 PLT	1.00	10'	1.00
2-32 PLT	.75	12'	.69
2-26 PLT	.56	14'	.50
2-18 PLT	.37		

Using Conversion Table

TO ADJUST FOOTCANDLES (FC) SHOWN IN DIAGRAM AT LEFT, USE FOLLOWING FORMULA WITH LAMP CONVERSION FACTOR (LCF) AND HEIGHT CONVERSION FACTOR (HCF):

$$FC \times LCF = FC \text{ with alternate lamp}$$

$$FC \times HCF = FC \text{ at alternate height}$$

$$FC \times LCF \times HCF = FC \text{ with alternate lamp at alternate height}$$

Fluorescent Lamp Performance

	Input Watts	Lumen Output	Lamp Life (Hours)	Min. Starting Temperature
2-26 PLC	65W	3,600	10,000	50°F
2-18 PLT	39W	2,400	10,000	0°F
2-26 PLT	54W	3,600	10,000	0°F
2-32 PLT	68W	4,800	10,000	0°F
2-42 PLT	93W	6,400	10,000	0°F

WF Harris Lighting

Innovative Lighting Solutions Since 1970

P.O. Box 5023, Monroe, NC 28111-5023, USA
 (704) 283-7477 • (704) 283-6880 (FAX) • (800) 842-9345 (TOLL FREE)

www.wfharris.com • email: info@wfharris.com

Printed in USA
 Form 1557 04/05