

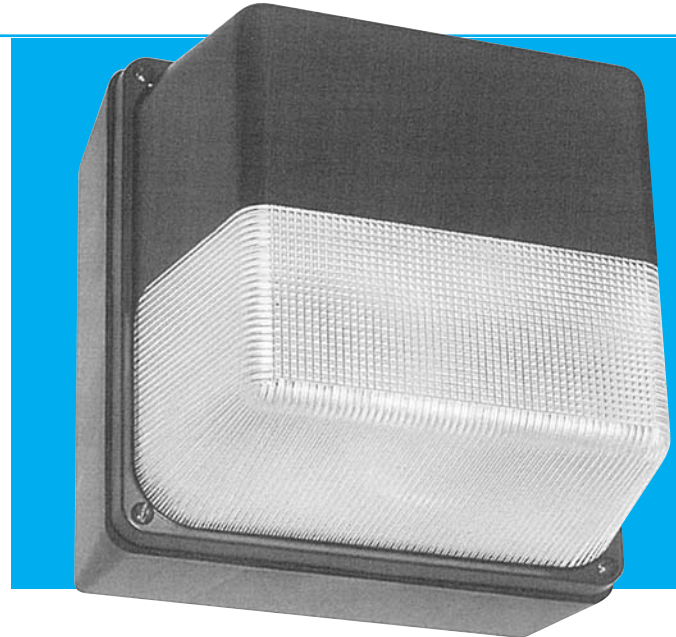
HPS-METAL HALIDE

80-WP Series 8 7/8" Square

Rustproof Vandal-Resistant Ceiling Luminaire
High Pressure Sodium 70W Max.; Metal Halide 70W Max.



The lens, lamp orientation, and internal reflector in this wall-pack luminaire are designed to produce optimal light control directly in front of and along building walls. Engineered with materials offering the **highest resistance to rust, corrosion, and impact**. The **polycarbonate** housing is lightweight for easy installation and is non-conductive for safety during installation and relamping. Smooth exterior lens allows ease of cleaning, clear prismatic interior assures optimum lumen output, rounded corners for increased impact strength. Ideally suited as security or aesthetic lighting for the exterior walls of commercial and industrial buildings, schools, hospitals, public housing, and government installations.



Specifications

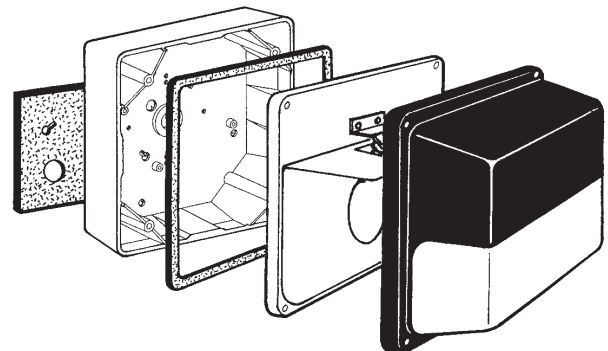
Lens:	One piece, prismatic, injection molded of UV-stabilized polycarbonate . Average thickness is 1/8". Smooth exterior surface for ease of cleaning, rounded corners for increased impact strength. Masked in bronze or white, high-temperature, weather-resistant polyurethane paint.
Base Plate:	Rustproof .063" 5052 H-32 tempered marine-grade aluminum.
Housing:	Injection molded of UV-stabilized reinforced bronze or white polycarbonate . Rear knockout for supply wire. Available with up to four threaded connections and plugs suitable for 1/2" conduit (specify connection positions).
Gasket:	Lens gasket and mounting gasket are closed-cell neoprene rubber.
Socket:	Medium-base high heat phenolic. HPS and MH types are 4kV pulse rated.
Reflector:	Formed of anodized aluminum with specular finish.
Lamp: (optional)	Medium base, ED17.
Ballast:	MH and HPS type are Normal Power Factor (NPF) or High Power Factor (HPF) 120V or HPF 120/277V.
Hardware:	Four stainless-steel 8-32 phillips truss head screws or tamperproof screws (TORX® type) attach lens to base plate.

UL Listed For Wet Locations.

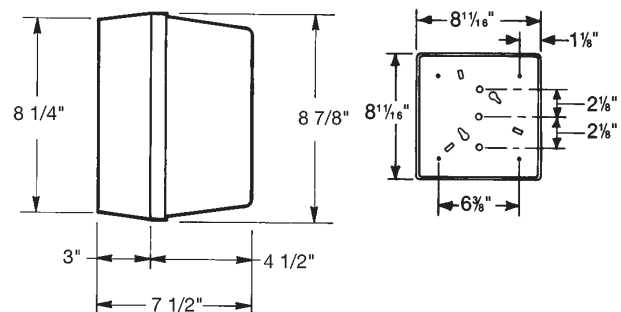
All polycarbonate components meet Underwriters Laboratories 746C tests for polymeric material and carry a flammability rating of 94HB or better on lenses and the superior 94-5V rating on housings.

Luminaire Type _____
 Catalog Number _____
 Job Name _____
 Approval _____

Exploded View



Dimensions



WF Harris Lighting

Innovative Lighting Solutions Since 1970
 P.O. Box 5023, Monroe, NC 28111-5023, USA
 (704) 283-7477 • (704) 283-6880(FAX) • (800) 842-9345 (TOLL FREE)
 www.wfharris.com • email: info@wfharris.com

HPS - METAL HALIDE

Ordering Information (Fill In Blanks For Complete Catalog Number)

Model	Housing	Watts-Lamp	Power Factor	Volts	Options	Conduit Connections
80-WP	HB -Bronze HW -White	50HPS 70HPS 50MH 70MH	NPF HPF	120 277 120/277	PC -Photo Control (Specify Voltage) LP -Medium Base Lamp TPS -Tamperproof Screws FS -Fuse and Holder 80H __-Housing. Please Specify Color. HB -Bronze HW -White	CRS -Right Side CLS -Left Side CT -Top CB -Bottom C4 -All (Positions Based On Facing Fixture)

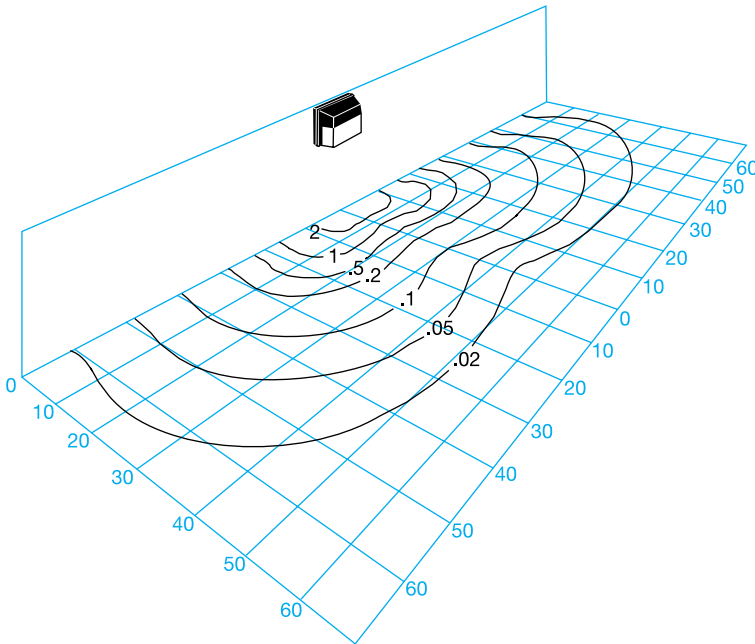
Accessories (Order Separately)

TPT-Tamperproof Screwdriver



Light Distribution Pattern

Model 80-WP-70-HPS
Wall Mounted 10' M.H.
Test Report No. ITL47852



Conversion Table

Lamp	Lamp Conversion Factor	Mounting Height	Height Conversion Factor
70 HPS	1.00	8'	1.56
50 HPS	.63	10'	1.00
70 MH	.89	14'	.50
50 MH	.54		

Using Conversion Table

TO ADJUST FOOTCANDLES (FC) SHOWN IN DIAGRAM AT LEFT, USE FOLLOWING FORMULA WITH LAMP CONVERSION FACTOR (LCF) AND HEIGHT CONVERSION FACTOR (HCF):

$$FC \times LCF = FC \text{ with alternate lamp}$$

$$FC \times HCF = FC \text{ at alternate height}$$

$$FC \times LCF \times HCF = FC \text{ with alternate lamp at alternate height}$$

LENS, HOUSING, AND ALUMINUM BASE PLATE CARRY A LIFETIME GUARANTEE.

Specifications Subject to Change Without Notice

Luminaire is Warranted to be Free of Defects in Materials and Workmanship for One Year From Invoice Date.

MADE IN USA

WF Harris Lighting

Innovative Lighting Solutions Since 1970

P.O. Box 5023, Monroe, NC 28111-5023, USA
(704) 283-7477 • (704) 283-6880(FAX) • (800) 842-9345 (TOLL FREE)

www.wfharris.com • email: info@wfharris.com

Printed in USA
Form 1559 04/05