

HIGH INTENSITY DISCHARGE

800 Series – 12" Cube
900 Series – 14" Cube

100 Watts High Pressure Sodium

150 Watts High Pressure Sodium, 50 Watts Metal Halide



Rustproof, Impact-Resistant Post-Top Luminaires

Sleek, uncluttered lines in a contemporary form make these luminaires the natural choices for so many architectural environments. Using the finest thermoplastic polymers available, the cubes are handcrafted with expert care. A greater $\frac{3}{16}$ -inch thickness enhances impact strength and structural beauty. The simple construction affords easy installation and a long life of maintenance-free service. Impressive atop a post or wall bracket.

Specifications

Lens: Standard in UV-stabilized, impact-resistant acrylic. Also available for high-abuse areas in virtually unbreakable **polycarbonate**. Colors include clear, opal white and smoked bronze. For optimal lumen output, our **HT (high transmittance) lens features textured clear sides, mirrored top, and a clear bottom**. Cubes are provided with four captive stainless steel screws which allow for retention to post fitter by 8-32 brass hex head cap screws.

Post Fitter: Injection molded UV-stabilized, noncorrosive and non-conductive **polycarbonate** in black or bronze colors. Provided with 3 stainless steel tamperproof set screws for attachment to any 3" O.D. post.

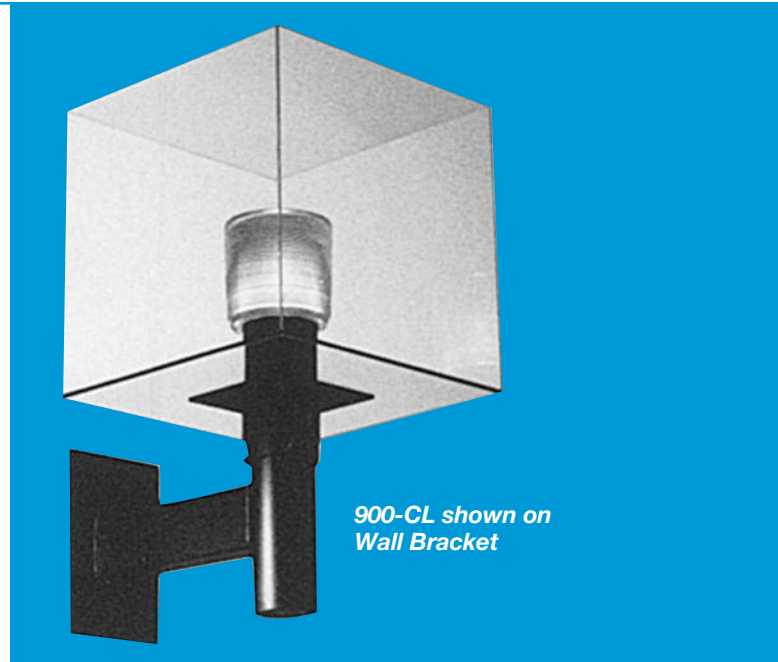
Socket: UL Listed medium base 4kV pulse rated 660W 600V with leads suitable for 200°C.

Ballast: HID postline ballast available in High Power Factor (HPF) 120V. 2-17/32" diameter ballast is mounted to a zinc-plated steel bracket which is attached to post fitter and socket assembly.

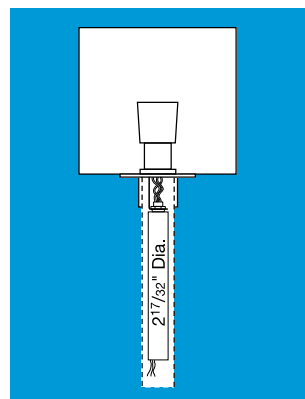
Lamp: (optional) HPS medium base 35W (ANSI S76), 50W (S68), 70W (S62), 100W (S54), and 150W (S55). MH medium base 50W (M110).

Diffuser: (optional) Prismatic diffuser softens the lamp image and enhances appearance and the general distribution of light in translucent lenses. PD7 Lexan® polycarbonate diffuser is suitable for 70W maximum.

Wall Bracket: (optional) Aluminum or steel welded construction in black or bronze painted finish. Base measures 6" x 9" and arm measures 2"(W) x 3"(D) x 10"(H). Stem comes in 14" or 19" lengths depending on specific ballast dimensions.



900-CL shown on Wall Bracket



View of postline ballast

ETL-US and ETL-C Listed For Wet Locations.

All polycarbonate components meet Underwriters Laboratories 746C tests for polymeric material and carry a flammability rating of 94HB or better on lenses and the superior 94-5V rating on housings.

Luminaire Type _____
Catalog Number _____
Job Name _____
Approval _____



TAA COMPLIANT
TRADE AGREEMENT ACT COMPLIANT

WF Harris Lighting

Innovative Lighting Designs Since 1970

P.O. Box 5023, Monroe, NC 28111-5023, USA
(704) 283-7477 (OPERATOR ASSIST) • (704) 283-6880 (FAX)
(800) 842-9345 (TOLL FREE)

e-mail: customerservice@wfarris.com
www.wfarrislighting.com

Form 1534 12/15

"A Live Operator Company Standing Ready to Serve Your Lighting Needs"

HIGH INTENSITY DISCHARGE

Ordering Information (Fill In Blanks For Complete Catalog Number)

Model Lens Filter Watts-Lamp Power Factor Volts Options

Model	Lens Color	Filter	Watts/Lamp	Power Factor	Volts	Options
800	CL-Clear	FK-Black	35-HPS ²	HPF	120V	PC-120-Photo Control-120V Only
900	OW-Opal White ²	FZ-Bronze	50-HPS ²			LP-Lamp
	BZ-Bronze		70-HPS ²			PD7-70W Max. Polycarbonate Diffuser
	CLB-Clear Bottom With Above Colored Lens		100-HPS ²			FS-Fuse and Holder
			150-HPS ²			SMWBK-14" Stem Length Steel Bronze Wall Bracket for 35 HPS Only
			50-MH ¹			

¹N/A with 800

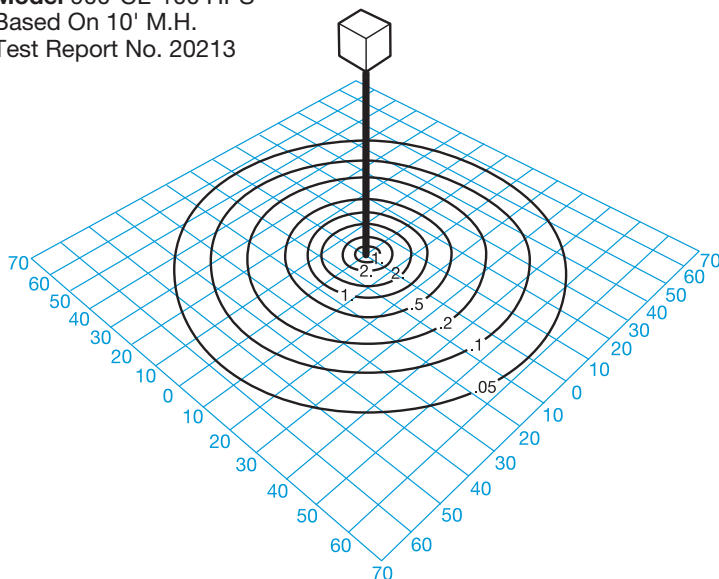
² Opal White Lens Not Available for High Pressure Sodium (HPS) or Metal Halide (MH) Luminaires

Light Distribution Pattern

Model 900-CL-100 HPS

Based On 10' M.H.

Test Report No. 20213



Conversion Table

Lamp	Lamp Conversion Factor	Mounting Height	Height Conversion Factor
150-HPS	1.68	8'	1.56
100-HPS	1.00	10'	1.00
70-HPS	.66	12'	.69
50-HPS	.42	14'	.50
35-HPS	.24	16'	.40
50-MH	.36		

Using Conversion Table

TO ADJUST FOOTCANDLES (FC) SHOWN IN DIAGRAM AT LEFT, USE FOLLOWING FORMULA WITH LAMP CONVERSION FACTOR (LCF) AND HEIGHT CONVERSION FACTOR (HCF):

$$FC \times LCF = FC \text{ with alternate lamp}$$

$$FC \times HCF = FC \text{ at alternate height}$$

$$FC \times LCF \times HCF = FC \text{ with alternate lamp at alternate height}$$

Specifications Subject to Change Without Notice

Luminaire is Warranted to be Free of Defects in Materials and Workmanship for One Year From Invoice Date.



TAA COMPLIANT
TRADE AGREEMENT ACT COMPLIANT

W.F. Harris Lighting

Innovative Lighting Designs Since 1970

P.O. Box 5023, Monroe, NC 28111-5023, USA

(704) 283-7477 (OPERATOR ASSIST) • (704) 283-6880 (FAX)

(800) 842-9345 (TOLL FREE)

e-mail: customerservice@wfarris.com

www.wfarrislighting.com

Printed in USA

Form 1534

12/15

"W. F. Harris Lighting Will Not Sacrifice Quality for the Sake of Price."