


FLUORESCENT

Ordering Information (Fill In Blanks For Complete Catalog Number)

80-WP Model	Housing	Watts-Lamp	HPF Power Factor	Volts	Options	Conduit Connections
Model	Housing	Watts/ Lamp	Power Factor	Volts	Options	Conduit Connections (80H Required)
80-WP	HB-Bronze HW-White	2-13 QD 18 PLT 26 PLT 32 PLT 42 PLT	HPF	120-277	LP-LAMP PC-Photo Control (Specify 120V or 277V) ¹ EM-(1 Lamp) One Lamp Operates Full Time and During Emergency (Listed for Wet Location) EM-(2 Lamp) One Lamp Operates Full Time and One Lamp Operates During Emergency (Listed for Wet Location) EMO-(1 Lamp) One Lamp Only Operates During Emergency (Listed for Wet Location) TPS-Tamperproof Screws FS-Fuse and Holder	CRS-Right Side CLS-Left Side CT-Top CB-Bottom C4-All CT-Top CB-Bottom <small>(Positions Based on Facing Fixture)</small>

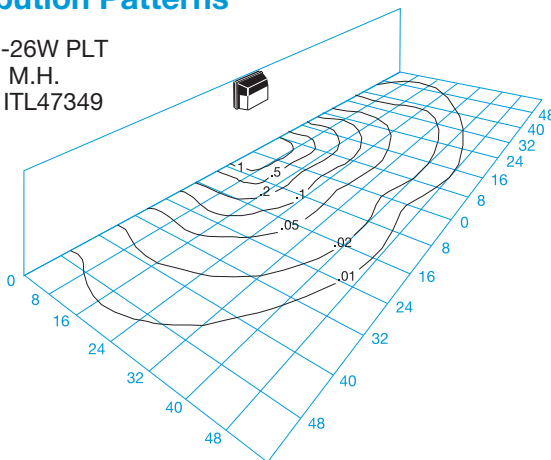
¹ Housing Required.

Accessories (Order Separately)

TPT-Tamperproof Screwdriver 

Light Distribution Patterns

Model 80-WP-1-26W PLT
Wall Mounted 8' M.H.
Test Report No. ITL47349



Conversion Tables

Lamp	Lamp Conversion Factor	Mounting Height	Height Conversion Factor
18 PLT	.67	8'	1.00
26 PLT	1.00	10'	.64
32 PLT	1.33	12'	.44
42 PLT	1.76		

Using Conversion Table

TO ADJUST FOOTCANDLES (FC) SHOWN IN DIAGRAM AT LEFT, USE FOLLOWING FORMULA WITH LAMP CONVERSION FACTOR (LCF) AND HEIGHT CONVERSION FACTOR (HCF):

$$FC \times LCF = FC \text{ with alternate lamp}$$

$$FC \times HCF = FC \text{ at alternate height}$$

$$FC \times LCF \times HCF = FC \text{ with alternate lamp at alternate height}$$

Fluorescent Lamp Performance

	Input Watts	Lumen Output	Lamp Life (Hours)
18 PLT	20W	1,200	10,000
26 PLT	29W	1,800	10,000
32 PLT	36W	2,400	10,000
42 PLT	46W	3,200	10,000

Specifications Subject to Change Without Notice

Luminaire is Warranted to be Free of Defects in Materials and Workmanship for One Year From Invoice Date.

LENS AND HOUSING CARRY A LIFETIME WARRANTY.



**SBA QUALIFIED
SMALL BUSINESS MANUFACTURER**

TAA COMPLIANT
TRADE AGREEMENT ACT COMPLIANT

W.F. Harris Lighting, Inc.™

Innovative Lighting Designs Since 1970

P.O. Box 5023, Monroe, NC 28111-5023, USA

704.283.7477 (HEADQUARTERS) • 800.842.9345 (TOLL FREE)

e-mail: customerservice@wfharris.com

www.wfharrislighting.com

Printed in USA

Form 1556

5/19

"W. F. Harris Lighting Will Not Sacrifice Quality for the Sake of Price."