

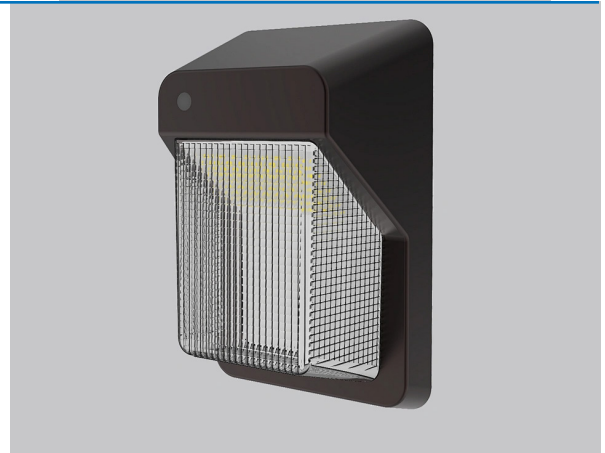
# OUTDOOR ENTRY LIGHT

## WALL LIGHT MODEL: E3060

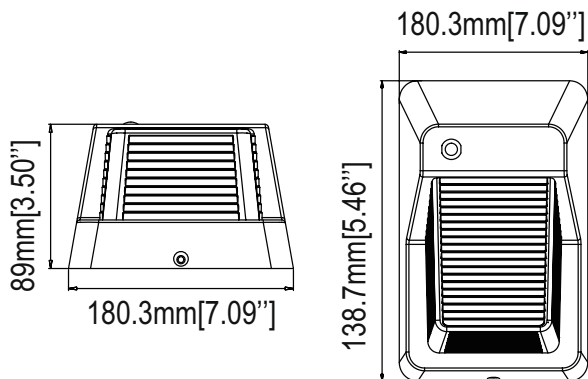


- Impact and weather resistant fixture with full polycarbonate housings and lenses. Prismatic lens for better glare control.
- Universal mounting plate with integral wire hooks for easy hands free installation.
- Bronze housing finish as stock, special order colors available (white, silver, gray, and black). Call for more information.
- Photocell included with optional photocell cap.
- Name brand chip and DOB technology with a five (5) year warranty.

**Order: E3060-28W-5K-V8-N-PC-BZ**



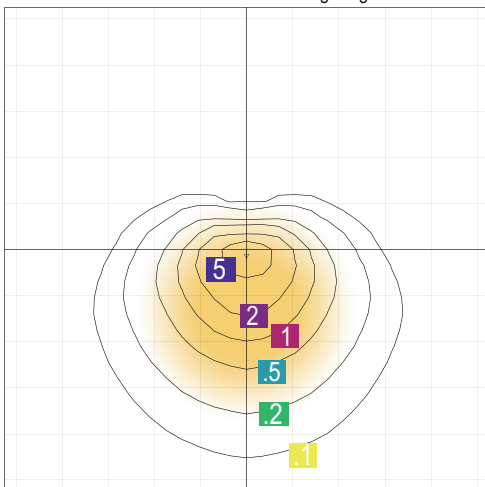
### Dimensions



### PHOTOMETRY

E3060

Mounting Height=10.00 FT



SCALE: 1 INCH = 15 FT.  
LIGHT LOSS FACTOR = 1.00

MAXIMUM CALCULATED VALUE = 8.37 FC  
FOOT CANDLE= .1 .2 .5 1 2 5

### Specifications

- Lumens (LM):** 3375LM
- Efficacy (LPW):** Up to 125LPW
- Input Voltage:** 120-277V
- CRI:** >70
- Equivalency (W):** 100W MH
- Operating Temp:** -30-40°C
- Warranty:** 5 Years

# WF Harris Lighting, Inc.

**Innovative Lighting Designs Since 1970**

4015 Airport Ext. Road • Monroe, NC 28110 USA  
704.283.7477 (Headquarters) • 800.842.9345 (Toll Free)

E-Mail: [customerservice@wfharris.com](mailto:customerservice@wfharris.com)  
[www.wfharrislighting.com](http://www.wfharrislighting.com)